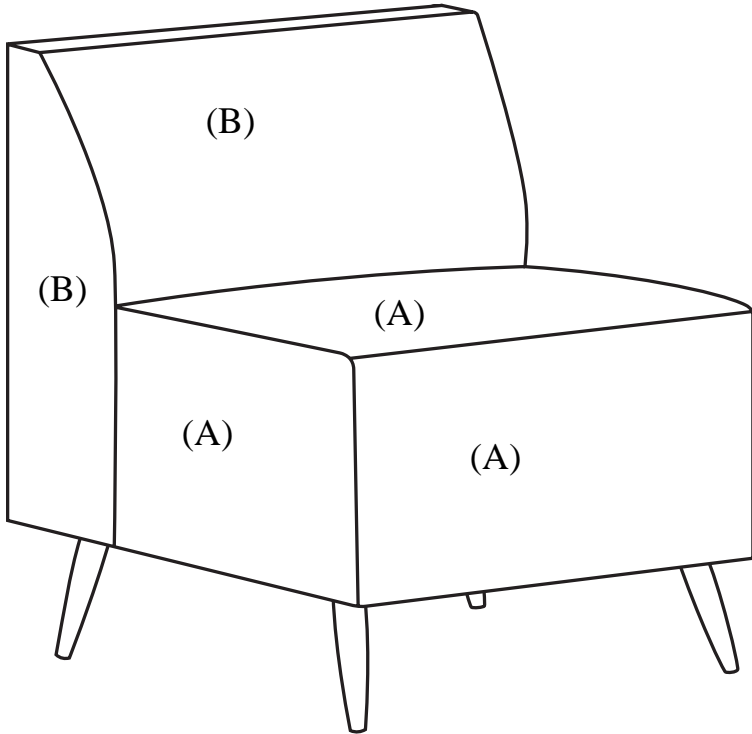


Bello Straight Seat Armless Multi Fabric Diagram

Contact: \_\_\_\_\_ Company: \_\_\_\_\_  
Job/PO#: \_\_\_\_\_ Email: \_\_\_\_\_



(A) Chair Seat

---

(B) Chair Back

---

Total List Price Upcharge for  
Contrasting Fabrics: \$ \_\_\_\_\_

\$100.00 List Per Contrasting Fabric Specified.  
List price based on highest fabric grade usage.

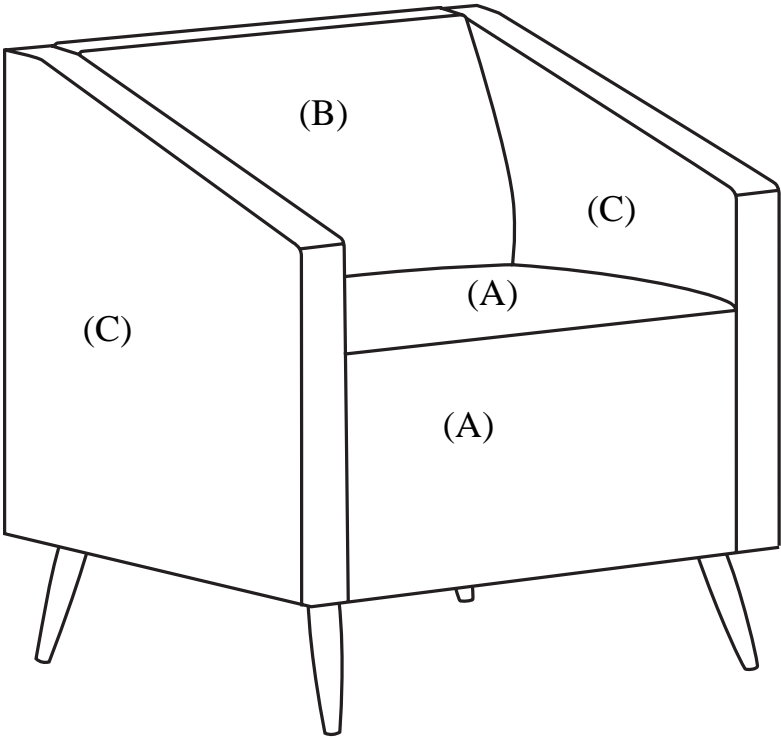
Use On the Following Bello Model  
□ 52010



[www.ekocontract.com](http://www.ekocontract.com)

Bello Straight Seat Multi Fabric Diagram

Contact: \_\_\_\_\_ Company: \_\_\_\_\_  
Job/PO#: \_\_\_\_\_ Email: \_\_\_\_\_



(A) Chair Seat  
\_\_\_\_\_

(B) Chair Back  
\_\_\_\_\_

(C) Chair Arms  
\_\_\_\_\_

Total List Price Upcharge for  
Contrasting Fabrics: \$ \_\_\_\_\_

\$100.00 List Per Contrasting Fabric Specified.  
List price based on highest fabric grade usage.

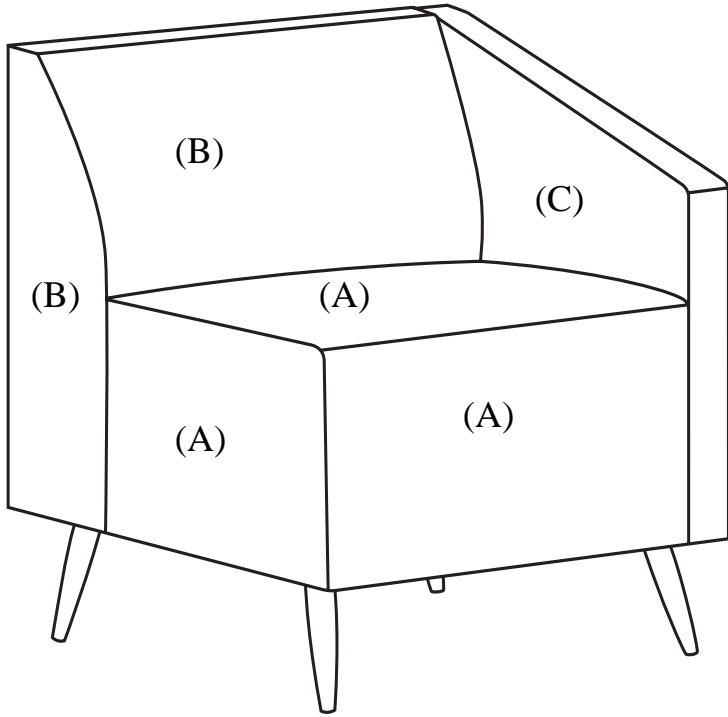
Use On the Following Bello Model  
□52011



[www.ekocontract.com](http://www.ekocontract.com)

**Bello Straight Seat Left Multi Fabric Diagram**

Contact: \_\_\_\_\_ Company: \_\_\_\_\_  
Job/PO#: \_\_\_\_\_ Email: \_\_\_\_\_



(A) Chair Seat

---

(B) Chair Back

---

(C) Chair Arm

---

Total List Price Upcharge for  
Contrasting Fabrics: \$ \_\_\_\_\_

\$100.00 List Per Contrasting Fabric Specified.  
List price based on highest fabric grade usage.

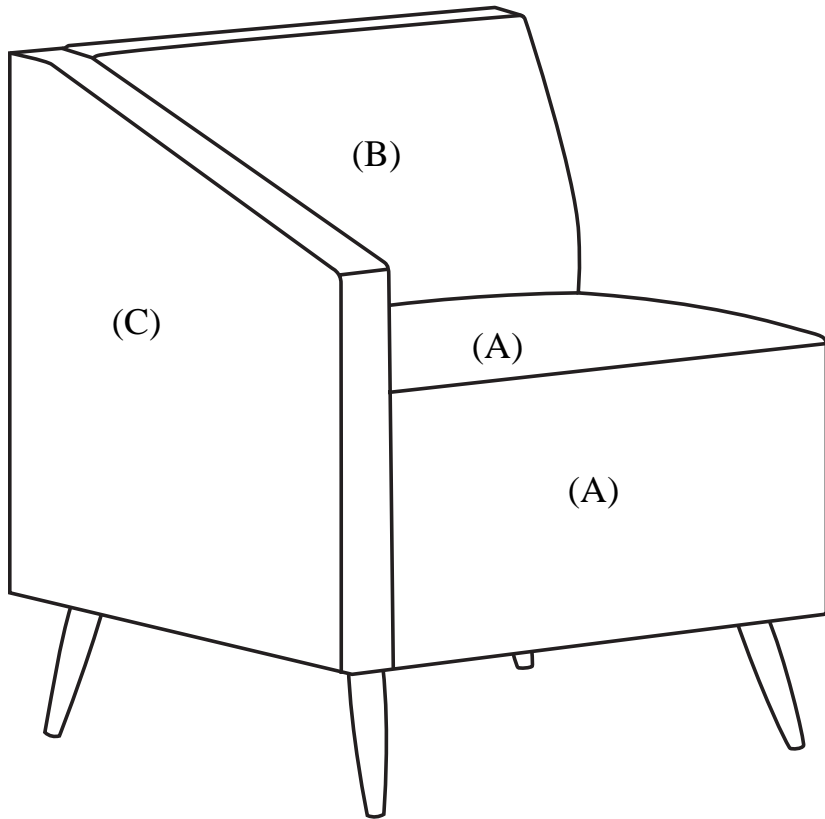
Use On the Following Bello Model  
□ 52011L



[www.ekocontract.com](http://www.ekocontract.com)

Bello Straight Seat Right Multi Fabric Diagram

Contact: \_\_\_\_\_ Company: \_\_\_\_\_  
Job/PO#: \_\_\_\_\_ Email: \_\_\_\_\_



(A) Chair Seat

\_\_\_\_\_

(B) Chair Back

\_\_\_\_\_

(C) Chair Arm

\_\_\_\_\_

Total List Price Upcharge for  
Contrasting Fabrics: \$ \_\_\_\_\_

\$100.00 List Per Contrasting Fabric Specified.  
List price based on highest fabric grade usage.

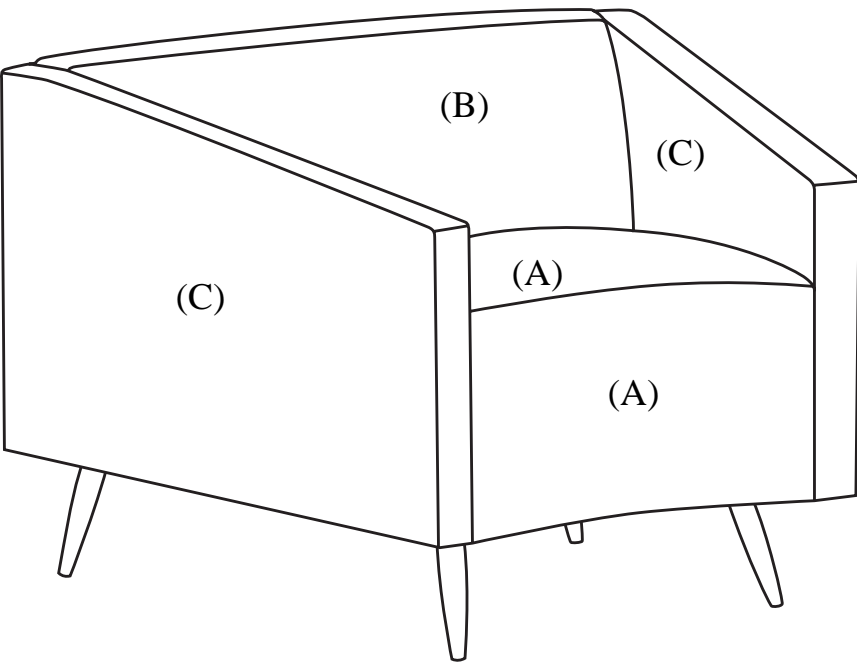
Use On the Following Bello Model  
□52011R



[www.ekocontract.com](http://www.ekocontract.com)

Bello 30 Inside Seat Multi Fabric Diagram

Contact: \_\_\_\_\_ Company: \_\_\_\_\_  
Job/PO#: \_\_\_\_\_ Email: \_\_\_\_\_



(A) Chair Seat

(B) Chair Back

(C) Chair Arms

Total List Price Upcharge for  
Contrasting Fabrics: \$ \_\_\_\_\_

\$100.00 List Per Contrasting Fabric Specified.  
List price based on highest fabric grade usage.

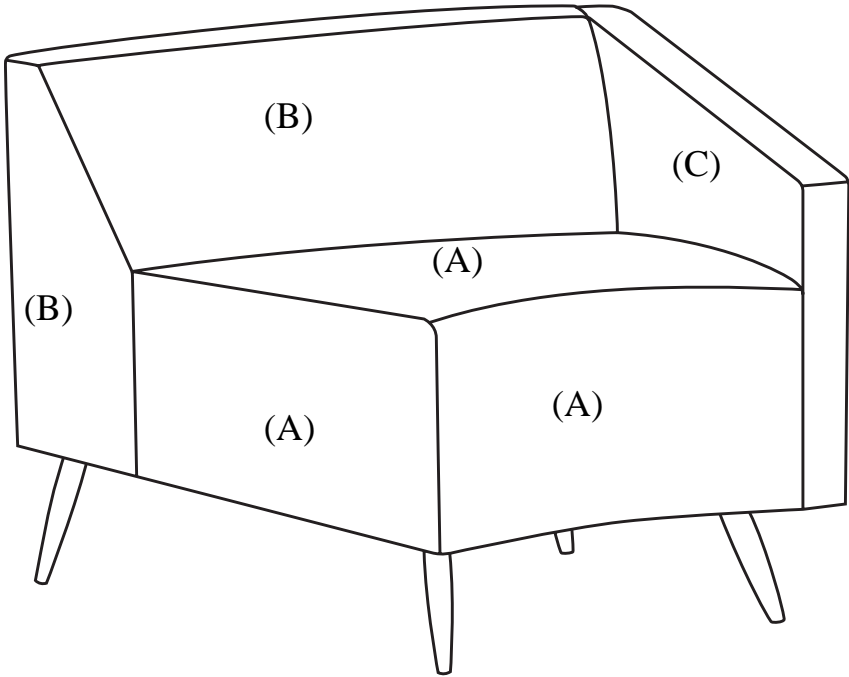
Use On the Following Bello Model  
□ 52012



[www.ekocontract.com](http://www.ekocontract.com)

Bello 30 Inside Seat Left Multi Fabric Diagram

Contact: \_\_\_\_\_ Company: \_\_\_\_\_  
Job/PO#: \_\_\_\_\_ Email: \_\_\_\_\_



(A) Chair Seat

(B) Chair Back

(C) Chair Arm

Total List Price Upcharge for  
Contrasting Fabrics: \$ \_\_\_\_\_

\$100.00 List Per Contrasting Fabric Specified.  
List price based on highest fabric grade usage.

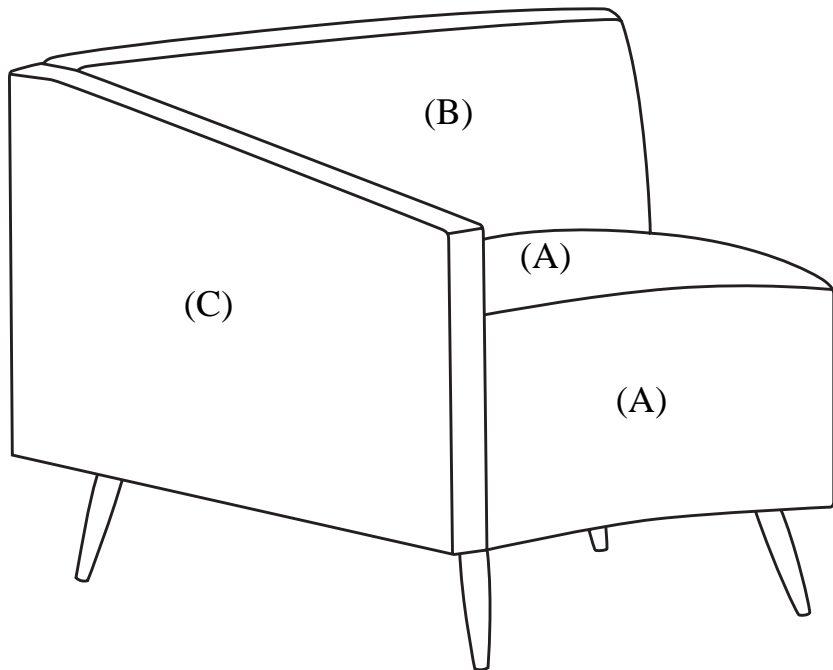
Use On the Following Bello Model  
□ 52012L



[www.ekocontract.com](http://www.ekocontract.com)

Bello 30 Inside Seat Right Multi Fabric Diagram

Contact: \_\_\_\_\_ Company: \_\_\_\_\_  
Job/PO#: \_\_\_\_\_ Email: \_\_\_\_\_



(A) Chair Seat

---

(B) Chair Back

---

(C) Chair Arms

---

Total List Price Upcharge for  
Contrasting Fabrics: \$ \_\_\_\_\_

\$100.00 List Per Contrasting Fabric Specified.  
List price based on highest fabric grade usage.

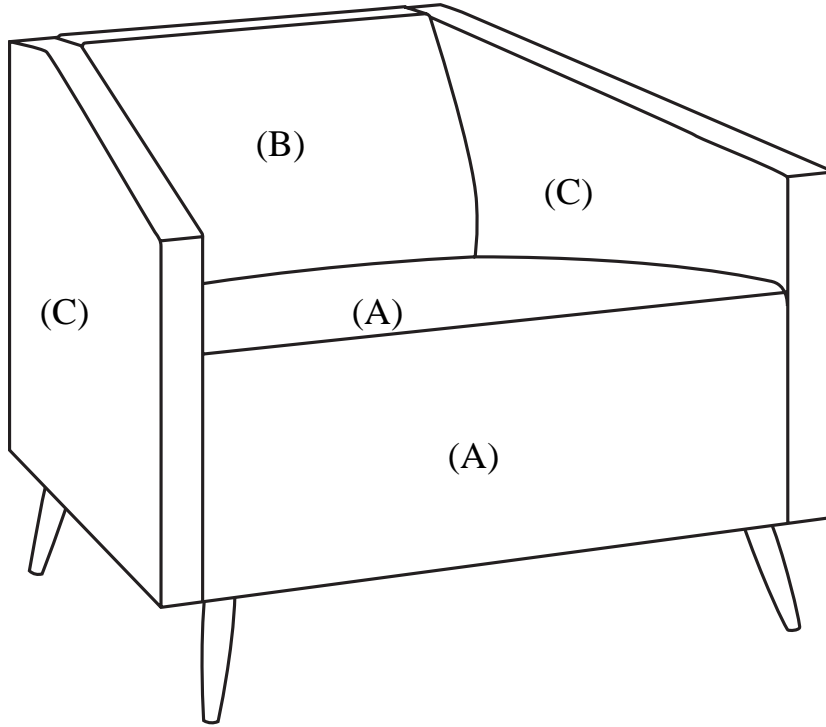
Use On the Following Bello Model  
□ 52012R



[www.ekocontract.com](http://www.ekocontract.com)

Bello 30 Outside Seat Multi Fabric Diagram

Contact: \_\_\_\_\_ Company: \_\_\_\_\_  
Job/PO#: \_\_\_\_\_ Email: \_\_\_\_\_



(A) Chair Seat

\_\_\_\_\_

(B) Chair Back

\_\_\_\_\_

(C) Chair Arms

\_\_\_\_\_

Total List Price Upcharge for  
Contrasting Fabrics: \$ \_\_\_\_\_

\$100.00 List Per Contrasting Fabric Specified.  
List price based on highest fabric grade usage.

Use On the Following Bello Model  
□ 52013

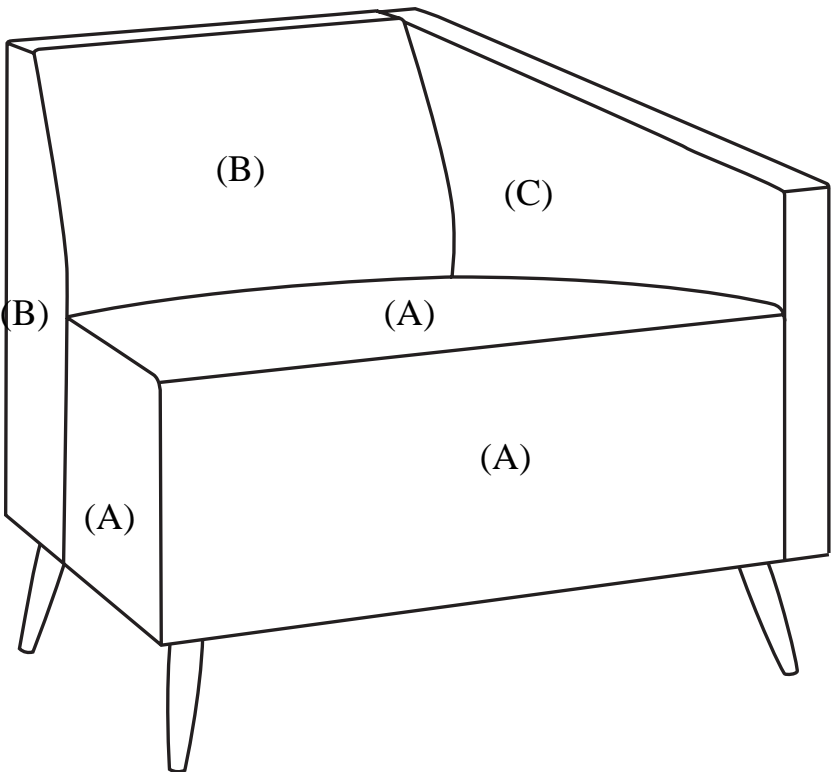


[www.ekocontract.com](http://www.ekocontract.com)



Bello 30 Outside Seat Left Multi Fabric Diagram

Contact: \_\_\_\_\_ Company: \_\_\_\_\_  
Job/PO#: \_\_\_\_\_ Email: \_\_\_\_\_



(A) Chair Seat  
\_\_\_\_\_

(B) Chair Back  
\_\_\_\_\_

(C) Chair Arms  
\_\_\_\_\_

Total List Price Upcharge for  
Contrasting Fabrics: \$ \_\_\_\_\_

\$100.00 List Per Contrasting Fabric Specified.  
List price based on highest fabric grade usage.

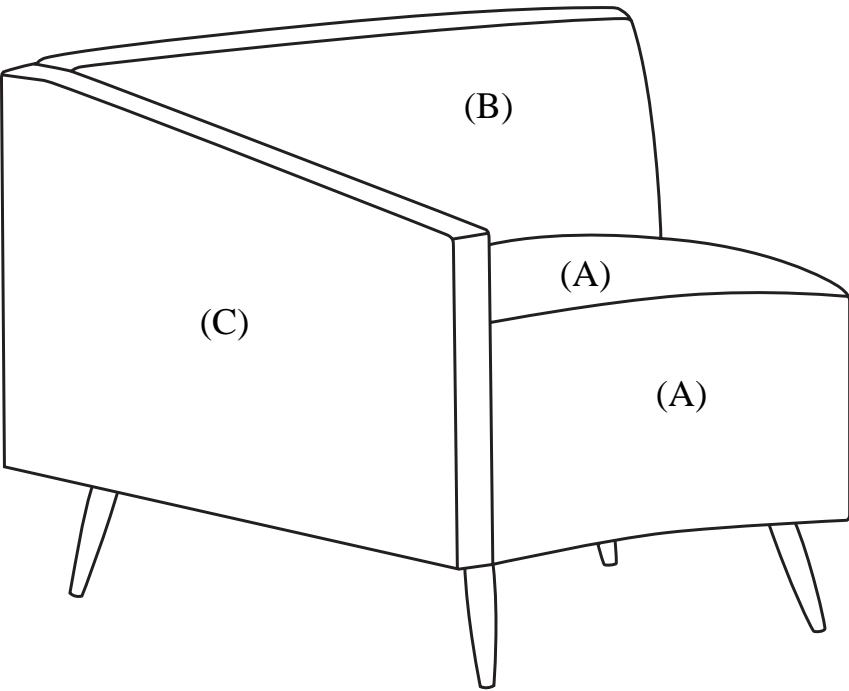
Use On the Following Bello Model  
□ 52013L



[www.ekocontract.com](http://www.ekocontract.com)

Bello 30 Outside Seat Right Multi Fabric Diagram

Contact: \_\_\_\_\_ Company: \_\_\_\_\_  
Job/PO#: \_\_\_\_\_ Email: \_\_\_\_\_



(A) Chair Seat

\_\_\_\_\_

(B) Chair Back

\_\_\_\_\_

(C) Chair Arms

\_\_\_\_\_

Total List Price Upcharge for  
Contrasting Fabrics: \$ \_\_\_\_\_

\$100.00 List Per Contrasting Fabric Specified.  
List price based on highest fabric grade usage.

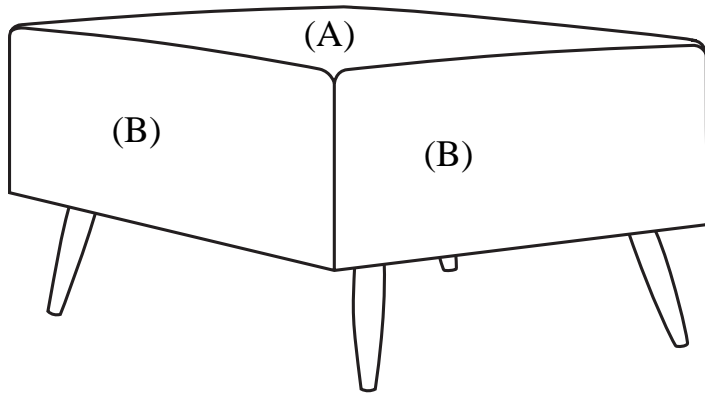
Use On the Following Bello Model  
□ 52013R



[www.ekocontract.com](http://www.ekocontract.com)

Bello Straight Bench Multi Fabric Diagram

Contact: \_\_\_\_\_ Company: \_\_\_\_\_  
Job/PO#: \_\_\_\_\_ Email: \_\_\_\_\_



(A) Bench Top

(B) Bench Sides

Total List Price Upcharge for  
Contrasting Fabrics: \$ \_\_\_\_\_

\$100.00 List Per Contrasting Fabric Specified.  
List price based on highest fabric grade usage.

Use On the Following Bello Model  
□ 52014



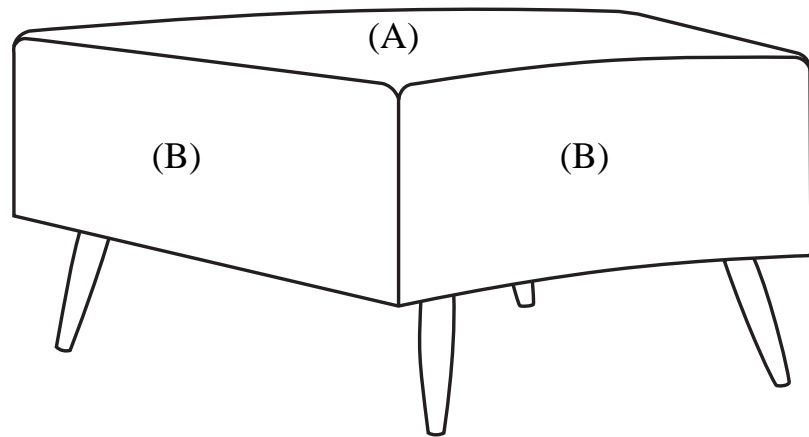
[www.ekocontract.com](http://www.ekocontract.com)

# Bello 30 Degree Bench Multi Fabric Diagram

Contact: \_\_\_\_\_ Company: \_\_\_\_\_  
Job/PO#: \_\_\_\_\_ Email: \_\_\_\_\_

(A) Bench Top

(B) Bench Sides



Total List Price Upcharge for  
Contrasting Fabrics: \$ \_\_\_\_\_

\$100.00 List Per Contrasting Fabric Specified.  
List price based on highest fabric grade usage.

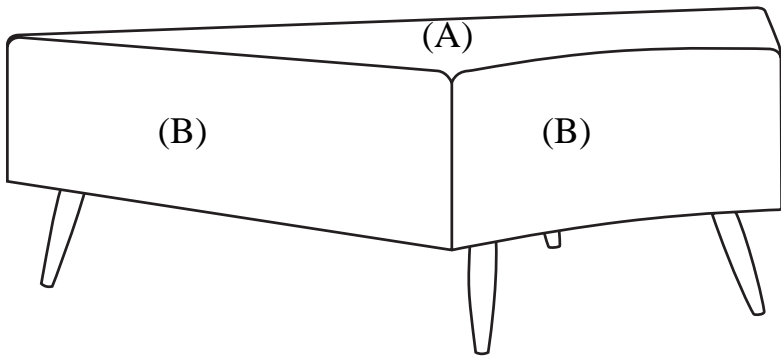
Use On the Following Bello Model  
□ 52015



[www.ekocontract.com](http://www.ekocontract.com)

Bello 90 Degree Bench Multi Fabric Diagram

Contact: \_\_\_\_\_ Company: \_\_\_\_\_  
Job/PO#: \_\_\_\_\_ Email: \_\_\_\_\_



(A) Bench Top

\_\_\_\_\_

(B) Beanch Sides

\_\_\_\_\_

Total List Price Upcharge for  
Contrasting Fabrics: \$ \_\_\_\_\_

\$100.00 List Per Contrasting Fabric Specified.  
List price based on highest fabric grade usage.

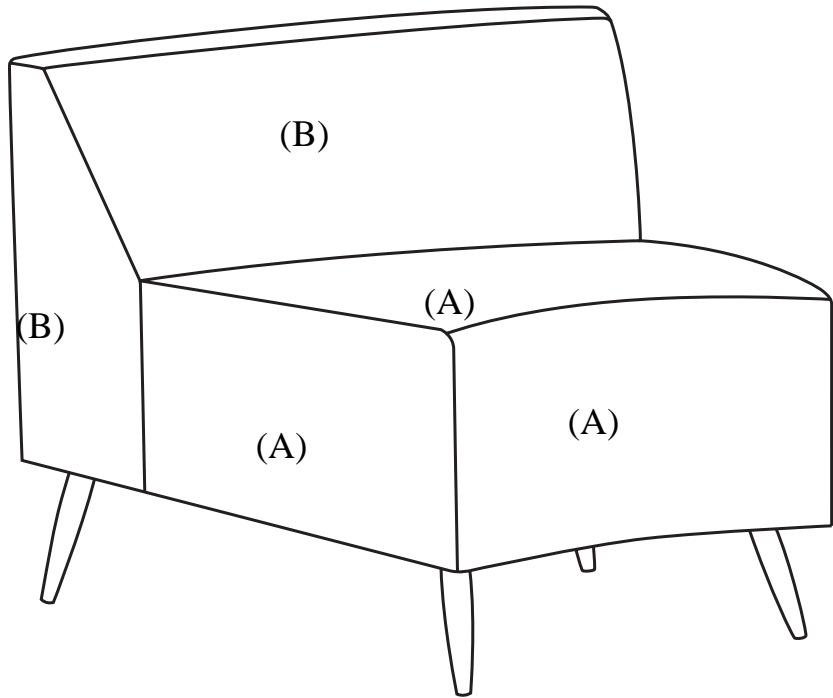
Use On the Following Bello Model  
□ 52016



[www.ekocontract.com](http://www.ekocontract.com)

Bello 30 Inside Seat Armless Multi Fabric Diagram

Contact: \_\_\_\_\_ Company: \_\_\_\_\_  
Job/PO#: \_\_\_\_\_ Email: \_\_\_\_\_



(A) Chair Seat

---

(B) Chair Back

---

Total List Price Upcharge for  
Contrasting Fabrics: \$ \_\_\_\_\_

\$100.00 List Per Contrasting Fabric Specified.  
List price based on highest fabric grade usage.

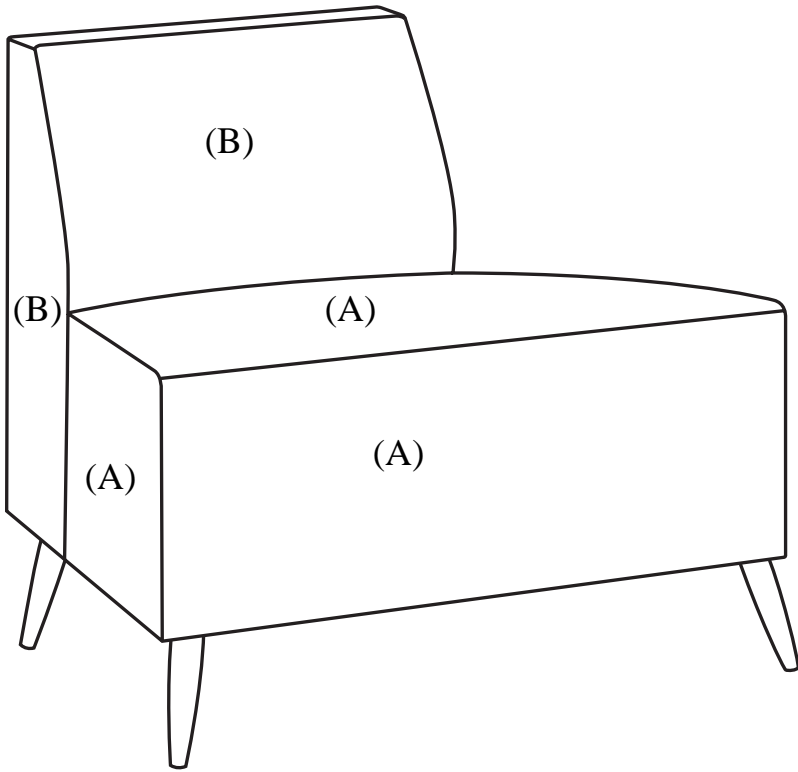
Use On the Following Bello Model  
□ 52020



[www.ekocontract.com](http://www.ekocontract.com)

Bello 30 Outside Seat Armless Multi Fabric Diagram

Contact: \_\_\_\_\_ Company: \_\_\_\_\_  
Job/PO#: \_\_\_\_\_ Email: \_\_\_\_\_



(A) Chair Seat

(B) Chair Back

Total List Price Upcharge for  
Contrasting Fabrics: \$ \_\_\_\_\_

\$100.00 List Per Contrasting Fabric Specified.  
List price based on highest fabric grade usage.

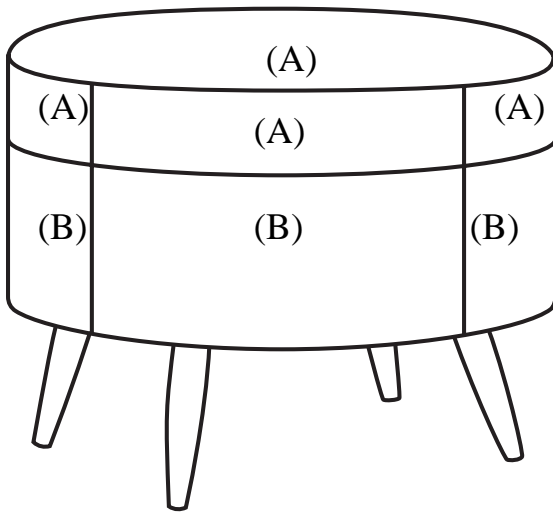
Use On the Following Bello Model  
□ 52030



[www.ekocontract.com](http://www.ekocontract.com)

# Bello Ottoman Multi Fabric Diagram

Contact: \_\_\_\_\_ Company: \_\_\_\_\_  
Job/PO#: \_\_\_\_\_ Email: \_\_\_\_\_



(A) Top Ottoman

\_\_\_\_\_

(B) Side Ottoman

\_\_\_\_\_

Total List Price Upcharge for  
Contrasting Fabrics: \$ \_\_\_\_\_

\$100.00 List Per Contrasting Fabric Specified.  
List price based on highest fabric grade usage.

Use On the Following Bello Model-  
□ 52040



[www.ekocontract.com](http://www.ekocontract.com)