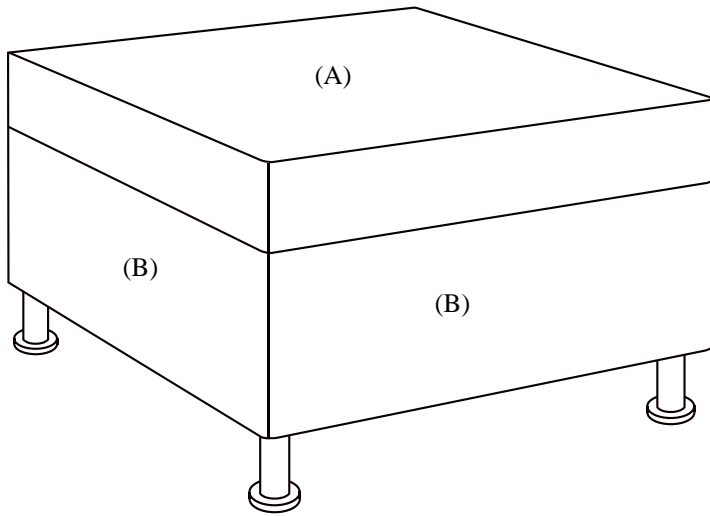


# MOD 1, 2 & 3 Bench Multi-Fabric Diagram

Contact: \_\_\_\_\_ Company: \_\_\_\_\_  
Job/PO#: \_\_\_\_\_ Email: \_\_\_\_\_



(A) Chair Seat:

\_\_\_\_\_

(B) Chair Ottoman:

\_\_\_\_\_

\*This product has a fixed cushion and is modular.

Total List Price Upcharge for  
Contrasting Fabrics: \$ \_\_\_\_\_

\$0.00 List Per Contrasting Fabric Specified.  
List price based on highest fabric grade usage.

**For use on the following Hypate models:  
(select one)**

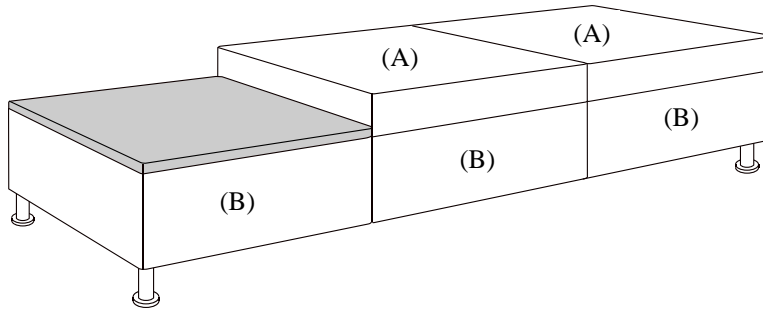
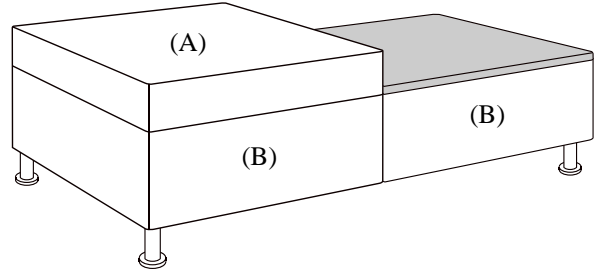
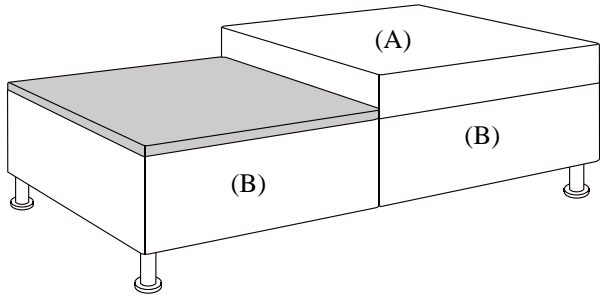
- MOD 1 Bench
- MOD 2 Bench
- MOD 3 Bench



[www.ekocontract.com](http://www.ekocontract.com)

# MOD 102, 112 & 103 Multi-Fabric Diagram

Contact: \_\_\_\_\_ Company: \_\_\_\_\_  
Job/PO#: \_\_\_\_\_ Email: \_\_\_\_\_



(A) Chair Seat:

(B) Chair Ottoman:

\_\_\_\_\_

\_\_\_\_\_

Total List Price Upcharge for  
Contrasting Fabrics: \$ \_\_\_\_\_

\$0.00 List Per Contrasting Fabric Specified.  
List price based on highest fabric grade usage.

**For use on the following MOD models:**  
(select one)

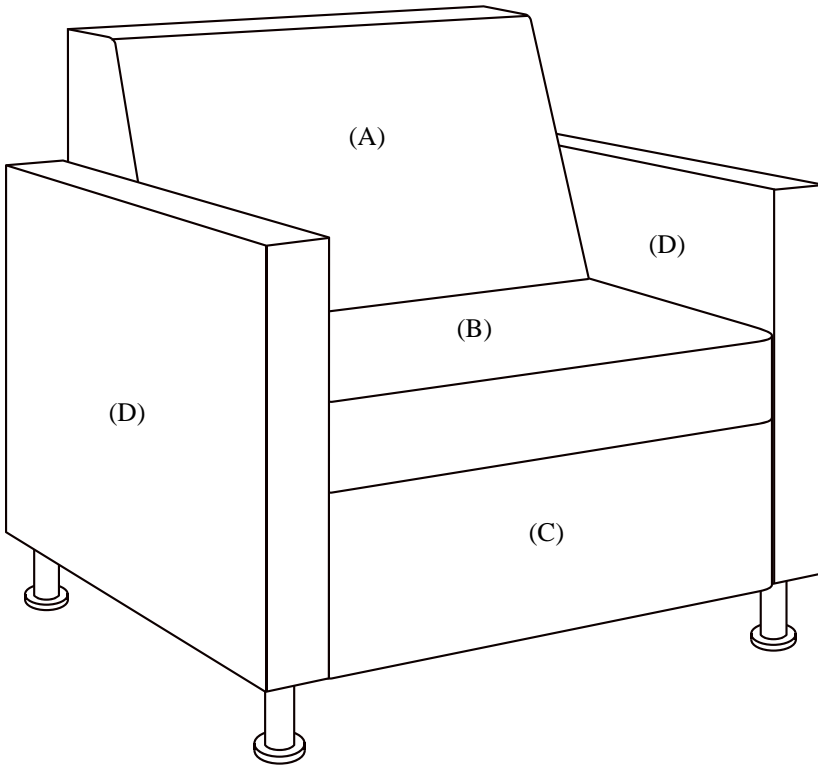
- MOD 102 Bench
- MOD 112 Bench
- MOD 103 Bench



[www.ekocontract.com](http://www.ekocontract.com)

# MOD 11,12 & 13 Multi-Fabric Diagram

Contact: \_\_\_\_\_ Company: \_\_\_\_\_  
Job/PO#: \_\_\_\_\_ Email: \_\_\_\_\_



(A) Chair Back:

\_\_\_\_\_

(B) Chair Seat:

\_\_\_\_\_

(C) Chair Ottoman:

\_\_\_\_\_

(D) Lower Outside Chair Back:

\_\_\_\_\_

(E) Chair Arms:

\_\_\_\_\_

Total List Price Upcharge for  
Contrasting Fabrics: \$ \_\_\_\_\_

\$100.00 List Per Contrasting Fabric Specified.  
List price based on highest fabric grade usage.

\*This product has a fixed cushion and is  
modular.

**For use on the following Hypate models:  
(select one)**

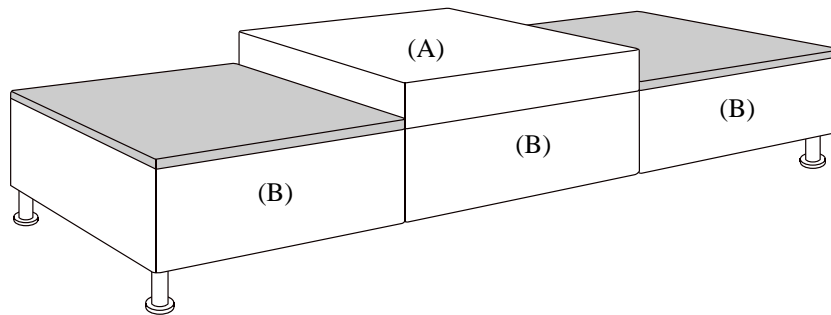
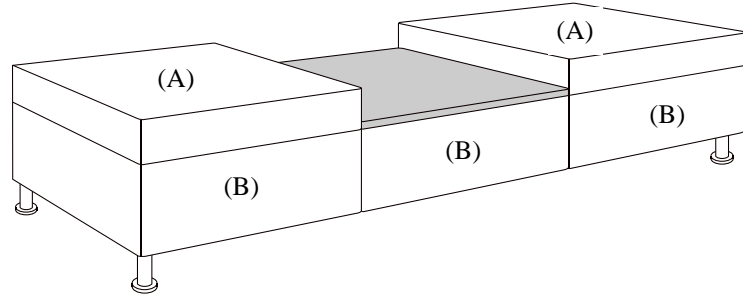
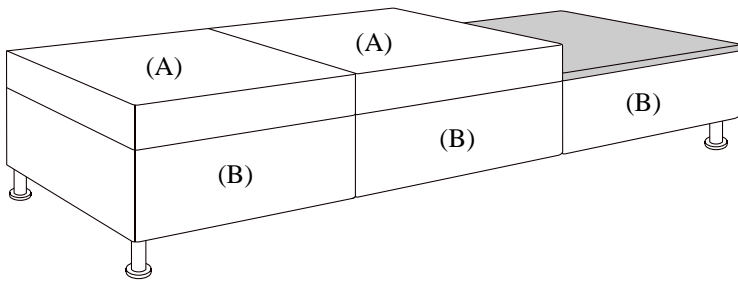
- MOD 11 Lounge
- MOD 12 Loveseats
- MOD 13 Sofas



[www.ekocontract.com](http://www.ekocontract.com)

# MOD 113, 123 & 133 Multi-Fabric Diagram

Contact: \_\_\_\_\_ Company: \_\_\_\_\_  
Job/PO#: \_\_\_\_\_ Email: \_\_\_\_\_



(A) Chair Seat:

(B) Chair Ottoman:

\_\_\_\_\_

\_\_\_\_\_

Total List Price Upcharge for  
Contrasting Fabrics: \$ \_\_\_\_\_

\$0.00 List Per Contrasting Fabric Specified.  
List price based on highest fabric grade usage.

**For use on the following MOD models:**  
(select one)

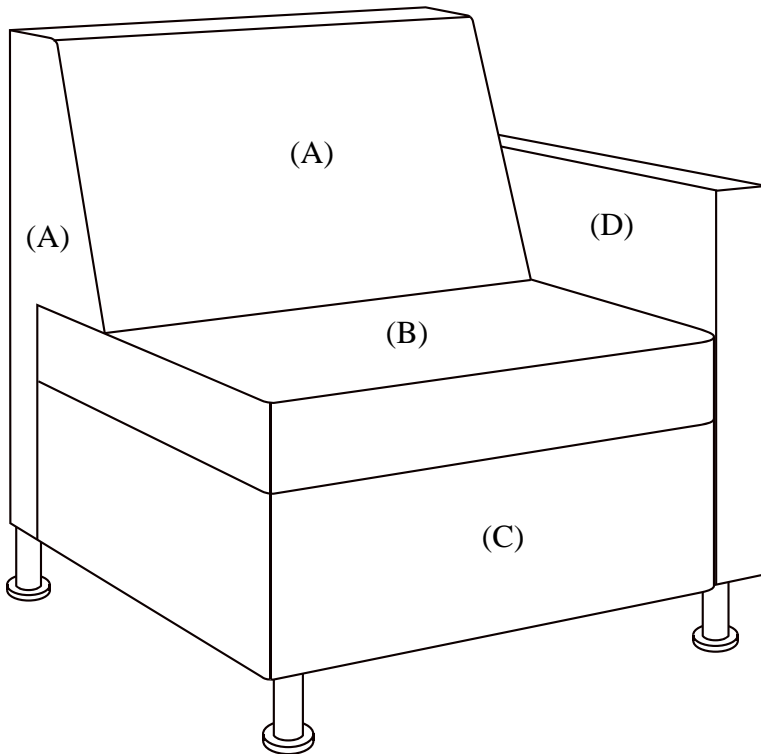
- MOD 113 Bench
- MOD 123 Bench
- MOD 133 Bench



[www.ekocontract.com](http://www.ekocontract.com)

# MOD 11L,12L & 13L Multi-Fabric Diagram

Contact: \_\_\_\_\_ Company: \_\_\_\_\_  
Job/PO#: \_\_\_\_\_ Email: \_\_\_\_\_



(A) Chair Back:

\_\_\_\_\_

(B) Chair Seat:

\_\_\_\_\_

(C) Chair Ottoman:

\_\_\_\_\_

(D) Chair Arms

\_\_\_\_\_

Total List Price Upcharge for  
Contrasting Fabrics: \$ \_\_\_\_\_

\$100.00 List Per Contrasting Fabric Specified.  
List price based on highest fabric grade usage.

\*This product has a fixed cushion and is  
modular.

**For use on the following Hypate models:  
(select one)**

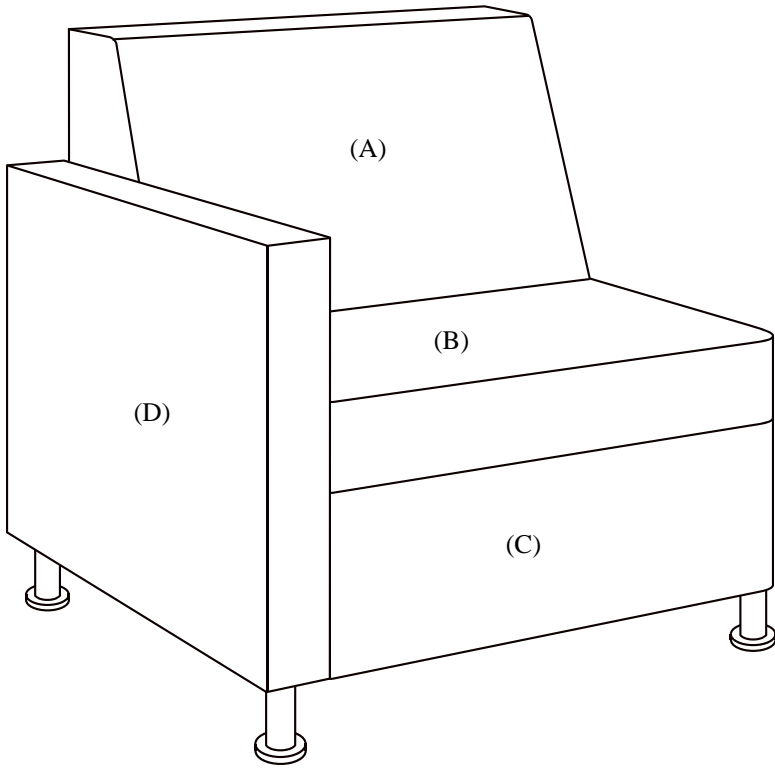
- MOD 11L Lounge
- MOD 12L Loveseats
- MOD 13L Sofas



[www.ekocontract.com](http://www.ekocontract.com)

# MOD 11R,12R & 13R Multi-Fabric Diagram

Contact: \_\_\_\_\_ Company: \_\_\_\_\_  
Job/PO#: \_\_\_\_\_ Email: \_\_\_\_\_



(A) Chair Back:

\_\_\_\_\_

(B) Chair Seat:

\_\_\_\_\_

(C) Chair Ottoman:

\_\_\_\_\_

(D) Lower Outside Chair Back:

\_\_\_\_\_

(E) Chair Arms:

\_\_\_\_\_

Total List Price Upcharge for  
Contrasting Fabrics: \$ \_\_\_\_\_

\$100.00 List Per Contrasting Fabric Specified.  
List price based on highest fabric grade usage.

\*This product has a fixed cushion and is  
modular.

**For use on the following Hypate models:  
(select one)**

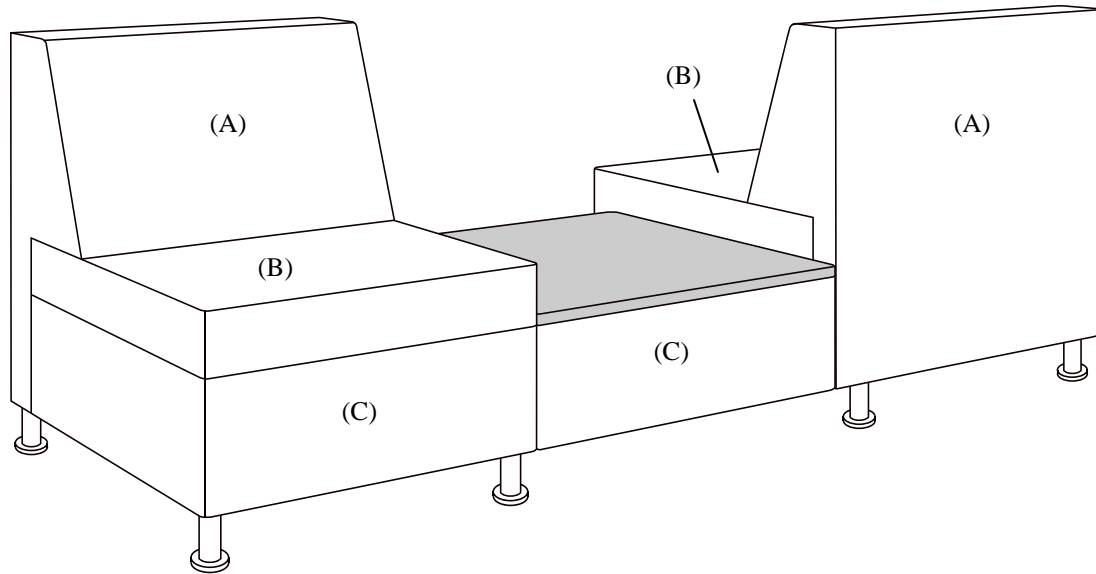
- MOD 11R Lounge
- MOD 12R Loveseats
- MOD 13R Sofas



[www.ekocontract.com](http://www.ekocontract.com)

# MOD 203 & 213 Multi-Fabric Diagram

Contact: \_\_\_\_\_ Company: \_\_\_\_\_  
Job/PO#: \_\_\_\_\_ Email: \_\_\_\_\_



(A) Chair Back:

\_\_\_\_\_

(B) Chair Seat:

\_\_\_\_\_

(C) Chair Ottoman:

\_\_\_\_\_

Total List Price Upcharge for  
Contrasting Fabrics: \$ \_\_\_\_\_

\$100.00 List Per Contrasting Fabric Specified.  
List price based on highest fabric grade usage.

**For use on the following MOD models:**

**(select one)**

MOD 203Lounge

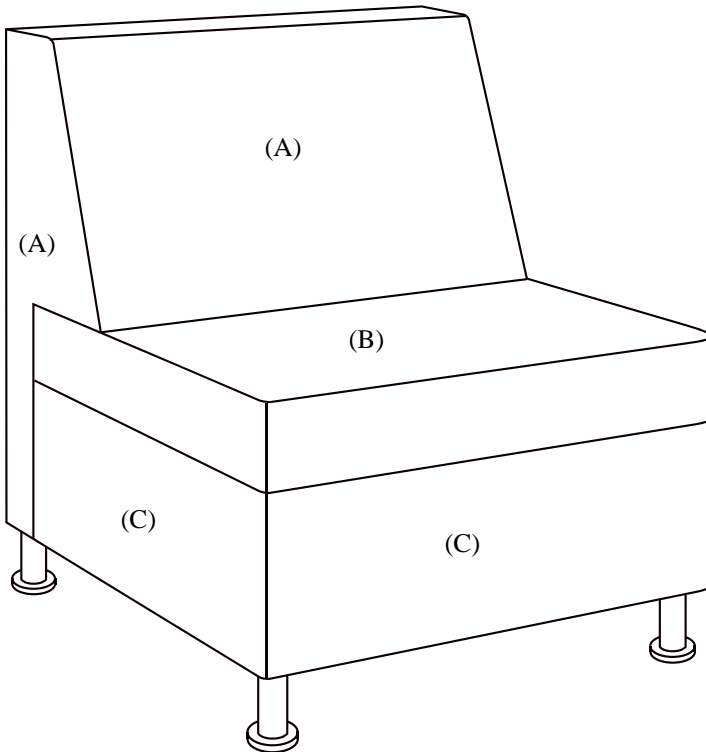
MOD 213Lounge



[www.ekocontract.com](http://www.ekocontract.com)

# MOD 21, 22 & 13 Multi-Fabric Diagram

Contact: \_\_\_\_\_ Company: \_\_\_\_\_  
Job/PO#: \_\_\_\_\_ Email: \_\_\_\_\_



(A) Chair Back:

\_\_\_\_\_

(B) Chair Seat:

\_\_\_\_\_

(C) Chair Ottoman:

\_\_\_\_\_

Total List Price Upcharge for  
Contrasting Fabrics: \$ \_\_\_\_\_

\$100.00 List Per Contrasting Fabric Specified.  
List price based on highest fabric grade usage.

\*This product has a fixed cushion and is  
modular.

**For use on the following Hypate models:  
(select one)**

- MOD 21 Lounge
- MOD 22 Loveseats
- MOD 23 Sofas

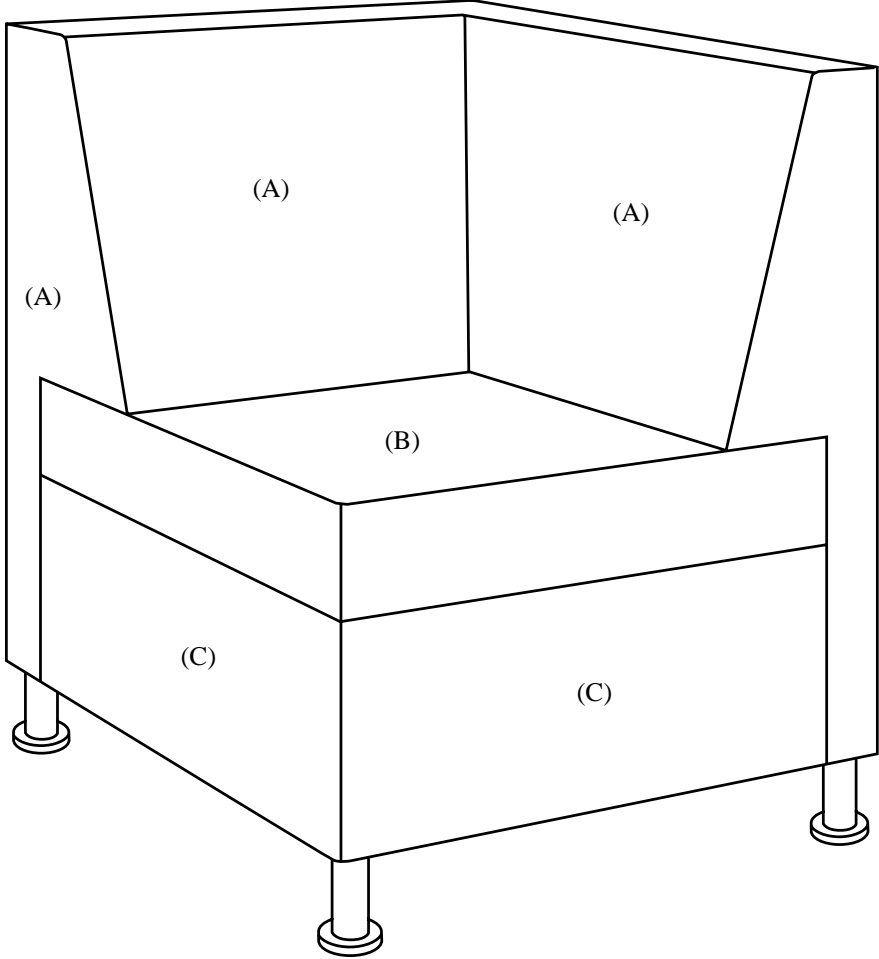


[www.ekocontract.com](http://www.ekocontract.com)



**MOD 2190 Corner Multi-Fabric Diagram**

Contact: \_\_\_\_\_ Company: \_\_\_\_\_  
Job/PO#: \_\_\_\_\_ Email: \_\_\_\_\_



(A) Chair Back: \_\_\_\_\_

(B) Chair Seat: \_\_\_\_\_

(C) Chair Ottoman: \_\_\_\_\_

\*This product has a fixed cushion and is modular.

Total List Price Upcharge for Contrasting Fabrics: \$ \_\_\_\_\_

\$100.00 List Per Contrasting Fabric Specified.  
List price based on highest fabric grade usage.

**For use on the following Hypate models:  
(select one)**

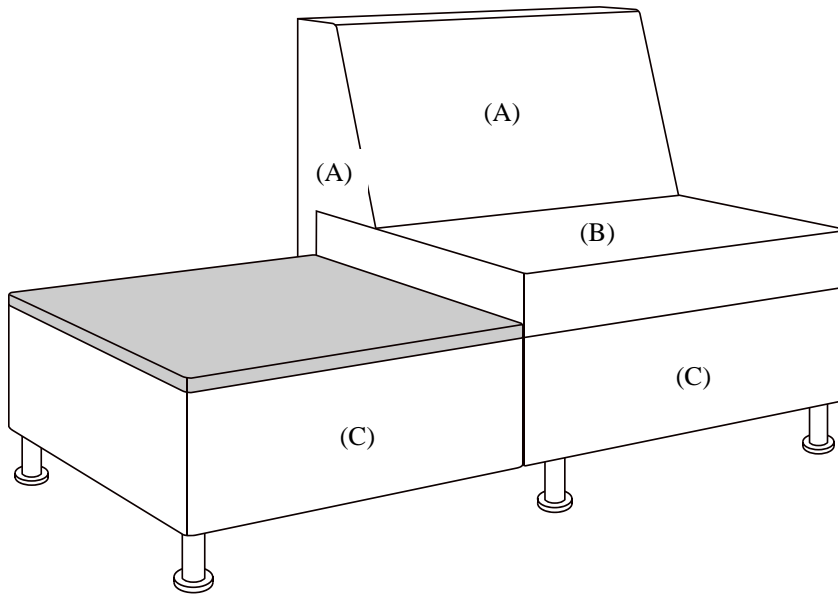
MOD 2190 Corner



[www.ekocontract.com](http://www.ekocontract.com)

# MOD 32 & 42 Multi-Fabric Diagram

Contact: \_\_\_\_\_ Company: \_\_\_\_\_  
Job/PO#: \_\_\_\_\_ Email: \_\_\_\_\_



(A) Chair Back:

\_\_\_\_\_

(B) Chair Seat:

\_\_\_\_\_

(C) Chair Ottoman:

\_\_\_\_\_

Total List Price Upcharge for  
Contrasting Fabrics: \$ \_\_\_\_\_

\$100.00 List Per Contrasting Fabric Specified.  
List price based on highest fabric grade usage.

**For use on the following MOD models:**

**(select one)**

MOD 32 Lounge

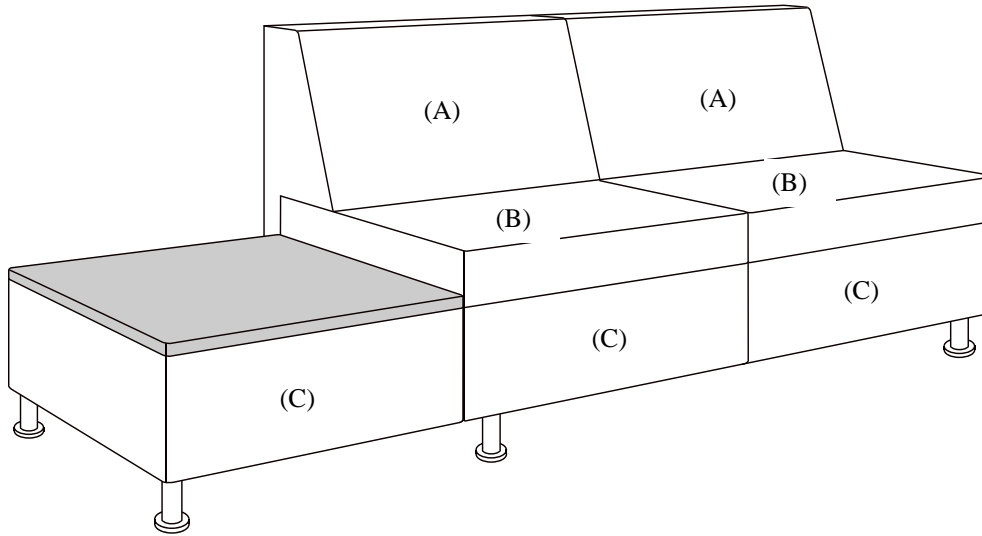
MOD 42 Lounge



[www.ekocontract.com](http://www.ekocontract.com)

# MOD 33 Multi-Fabric Diagram

Contact: \_\_\_\_\_ Company: \_\_\_\_\_  
Job/PO#: \_\_\_\_\_ Email: \_\_\_\_\_



(A) Chair Back:

\_\_\_\_\_

(B) Chair Seat:

\_\_\_\_\_

(C) Chair Ottoman:

\_\_\_\_\_

Total List Price Upcharge for  
Contrasting Fabrics: \$ \_\_\_\_\_

\$100.00 List Per Contrasting Fabric Specified.  
List price based on highest fabric grade usage.

**For use on the following MOD models:  
(select one)**

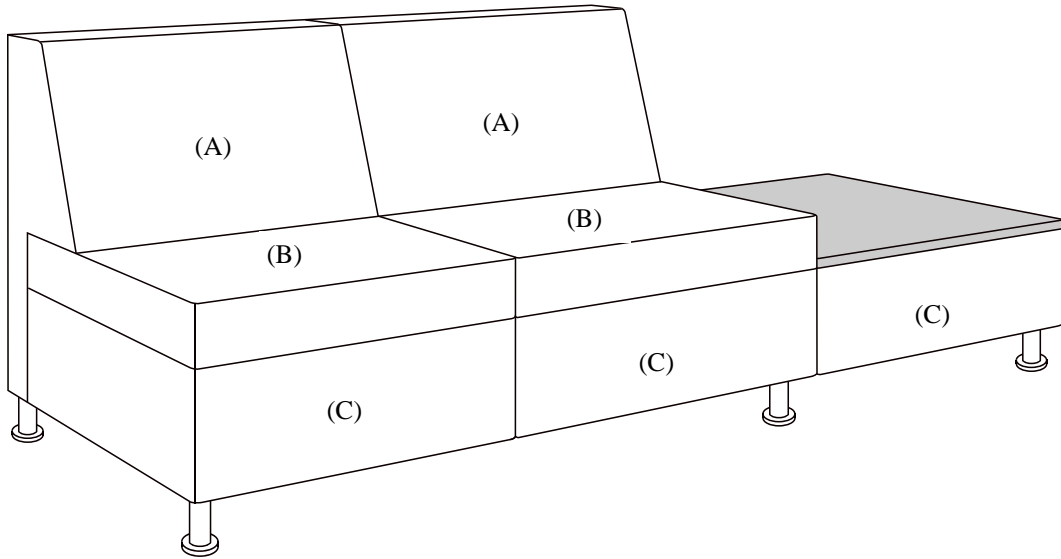
MOD 33 Lounge



[www.ekocontract.com](http://www.ekocontract.com)

# MOD 43 Multi-Fabric Diagram

Contact: \_\_\_\_\_ Company: \_\_\_\_\_  
Job/PO#: \_\_\_\_\_ Email: \_\_\_\_\_



(A) Chair Back:

\_\_\_\_\_

(B) Chair Seat:

\_\_\_\_\_

(C) Chair Ottoman:

\_\_\_\_\_

Total List Price Upcharge for  
Contrasting Fabrics: \$ \_\_\_\_\_

\$100.00 List Per Contrasting Fabric Specified.  
List price based on highest fabric grade usage.

**For use on the following MOD models:  
(select one)**

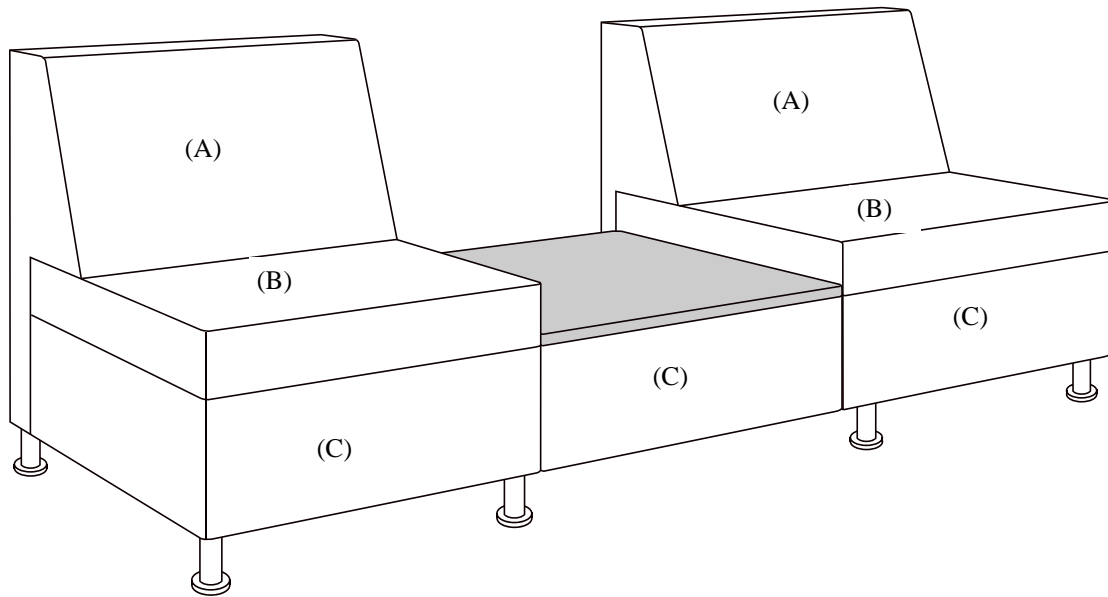
MOD 43 Lounge



[www.ekocontract.com](http://www.ekocontract.com)

# MOD 53 Multi-Fabric Diagram

Contact: \_\_\_\_\_ Company: \_\_\_\_\_  
Job/PO#: \_\_\_\_\_ Email: \_\_\_\_\_



(A) Chair Back:

\_\_\_\_\_

(B) Chair Seat:

\_\_\_\_\_

(C) Chair Ottoman:

\_\_\_\_\_

Total List Price Upcharge for  
Contrasting Fabrics: \$ \_\_\_\_\_

\$100.00 List Per Contrasting Fabric Specified.  
List price based on highest fabric grade usage.

**For use on the following MOD models:  
(select one)**

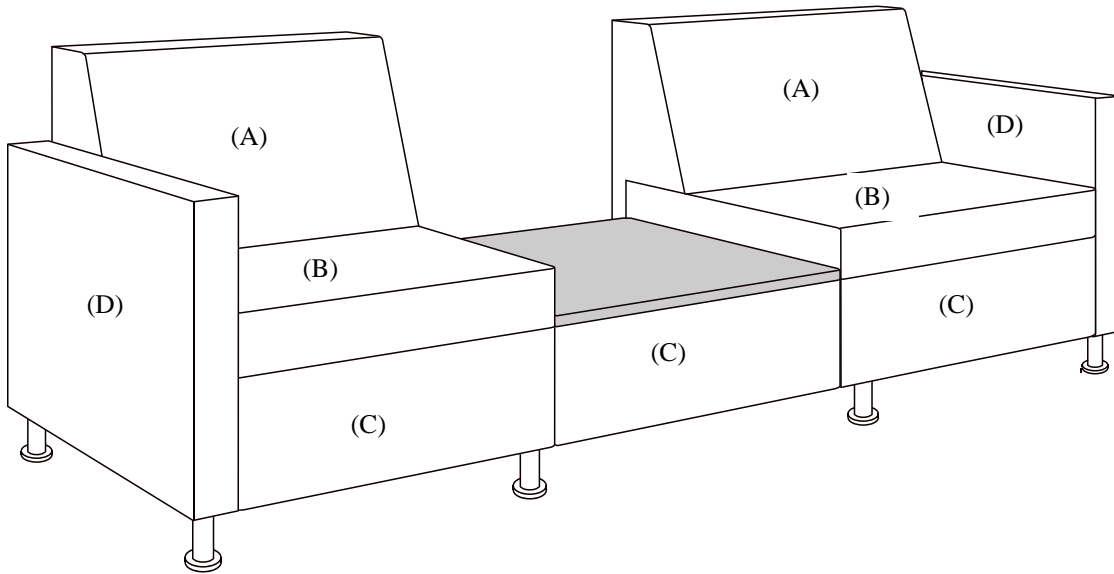
MOD 53 Lounge



[www.ekocontract.com](http://www.ekocontract.com)

# MOD 54, 204 & 214 Multi-Fabric Diagram

Contact: \_\_\_\_\_ Company: \_\_\_\_\_  
Job/PO#: \_\_\_\_\_ Email: \_\_\_\_\_



(A) Chair Back:

\_\_\_\_\_

(B) Chair Seat:

\_\_\_\_\_

(C) Chair Ottoman:

\_\_\_\_\_

(D) Chair Arms:

\_\_\_\_\_

Total List Price Upcharge for  
Contrasting Fabrics: \$ \_\_\_\_\_

\$100.00 List Per Contrasting Fabric Specified.  
List price based on highest fabric grade usage.

**For use on the following MOD models:  
(select one)**

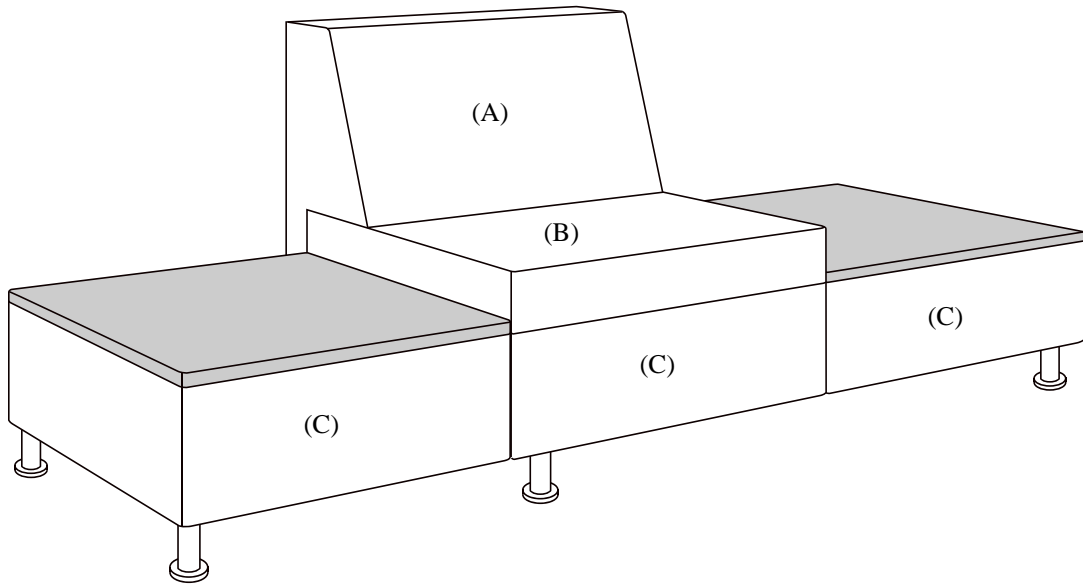
- MOD 54
- MOD 204 Lounge
- MOD 214 Lounge



[www.ekocontract.com](http://www.ekocontract.com)

# MOD 63 Multi-Fabric Diagram

Contact: \_\_\_\_\_ Company: \_\_\_\_\_  
Job/PO#: \_\_\_\_\_ Email: \_\_\_\_\_



(A) Chair Back:

\_\_\_\_\_

(B) Chair Seat:

\_\_\_\_\_

(C) Chair Ottoman:

\_\_\_\_\_

Total List Price Upcharge for  
Contrasting Fabrics: \$ \_\_\_\_\_

\$100.00 List Per Contrasting Fabric Specified.  
List price based on highest fabric grade usage.

**For use on the following MOD models:**  
(select one)

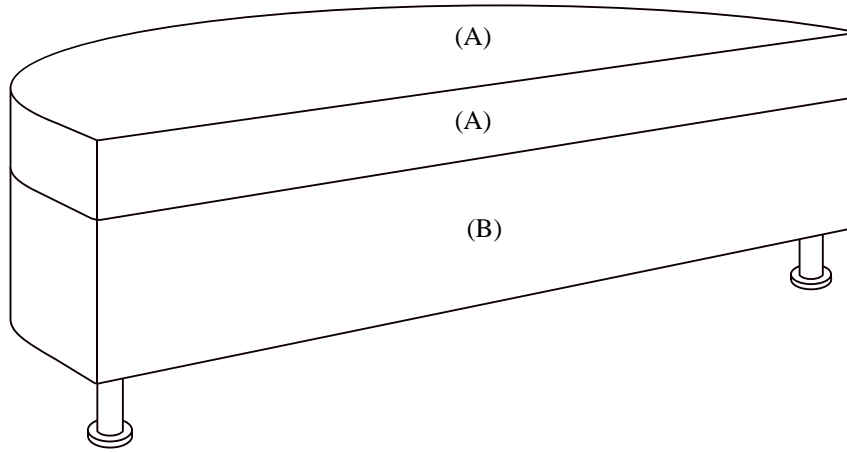
MOD 63 Lounge



[www.ekocontract.com](http://www.ekocontract.com)

# MOD 65 & 75 Multi-Fabric Diagram

Contact: \_\_\_\_\_ Company: \_\_\_\_\_  
Job/PO#: \_\_\_\_\_ Email: \_\_\_\_\_



(A) Chair Seat:

\_\_\_\_\_

(B) Chair Ottoman:

\_\_\_\_\_

Total List Price Upcharge for  
Contrasting Fabrics: \$ \_\_\_\_\_

\$0.00 List Per Contrasting Fabric Specified.  
List price based on highest fabric grade usage.

**For use on the following MOD models:  
(select one)**

- MOD 65 Bench
- MOD 75 Bench

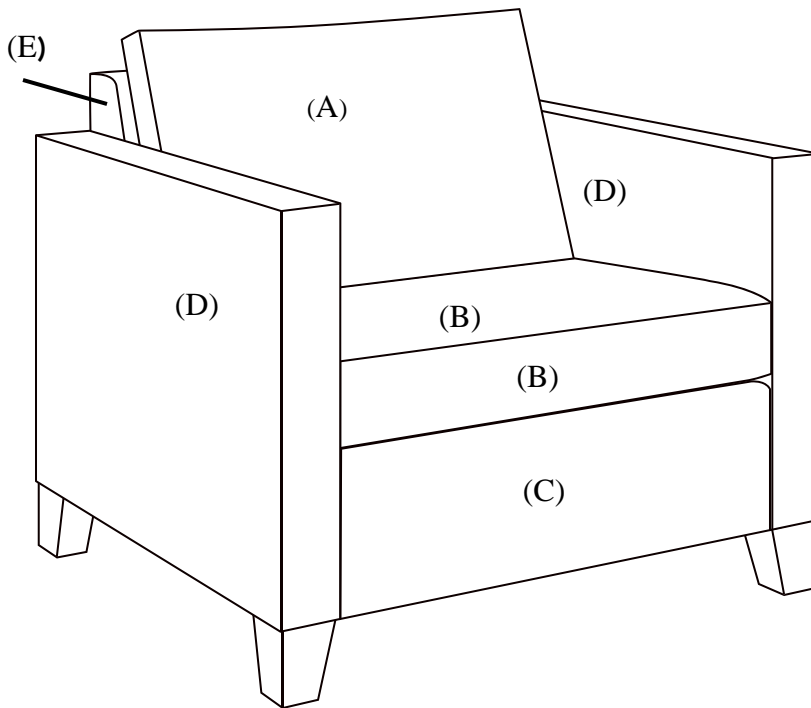


[www.ekocontract.com](http://www.ekocontract.com)



# MOD 71,72,73,81,82 & 83 Series Multi-Fabric Diagram

Contact: \_\_\_\_\_ Company: \_\_\_\_\_  
Job/PO#: \_\_\_\_\_ Email: \_\_\_\_\_



(A) Inside Chair Cushion:

\_\_\_\_\_

(B) Set Cushion:

\_\_\_\_\_

(C) Chair Front Band:

\_\_\_\_\_

(D) Arms:

\_\_\_\_\_

(E) Chair back:

\_\_\_\_\_

\$100.00 List Per Model per Contrasting Fabric Specified will apply to your order when placed. List price based on highest fabric grade usage.

**For use on the following MOD models:**  
(select one)

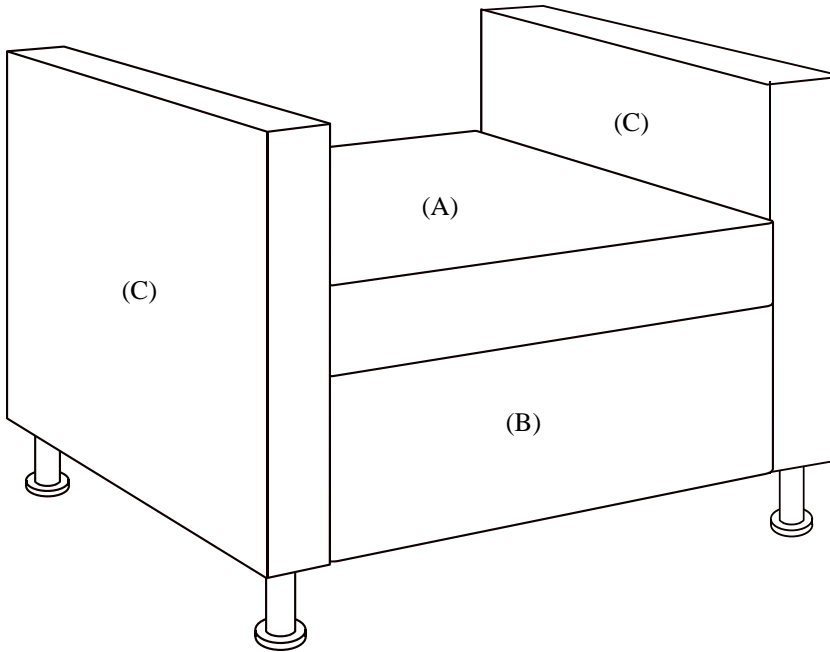
- MOD71 & 81 Club Chair
- MOD72 & 82 Loveseat
- MOD73 & 83 Sofa



[www.ekocontract.com](http://www.ekocontract.com)

**MOD 91, 92 & 93 Multi-Fabric Diagram**

Contact: \_\_\_\_\_ Company: \_\_\_\_\_  
Job/PO#: \_\_\_\_\_ Email: \_\_\_\_\_



(A) Chair Seat:  
\_\_\_\_\_

(B) Chair Ottoman:  
\_\_\_\_\_

(C) Chair Arms:  
\_\_\_\_\_

\*This product has a fixed cushion and is modular.

Total List Price Upcharge for Contrasting Fabrics: \$ \_\_\_\_\_

\$100.00 List Per Contrasting Fabric Specified.  
List price based on highest fabric grade usage.

**For use on the following Hypate models:  
(select one)**

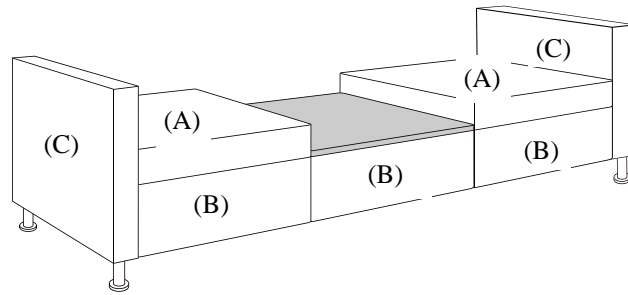
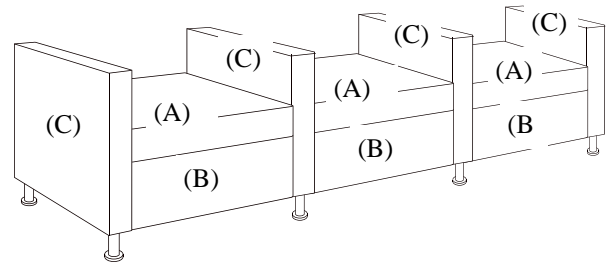
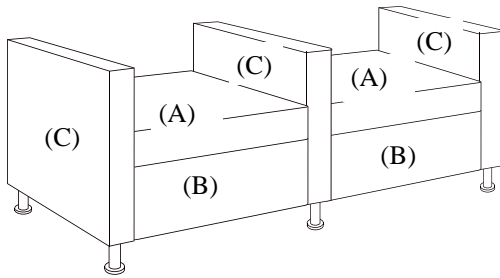
- MOD 91 Bench
- MOD 92 Bench
- MOD 93 Bench



[www.ekocontract.com](http://www.ekocontract.com)

# MOD 94, 95 & 96 Multi-Fabric Diagram

Contact: \_\_\_\_\_ Company: \_\_\_\_\_  
 Job/PO#: \_\_\_\_\_ Email: \_\_\_\_\_



(A) Chair Seat:

\_\_\_\_\_

(B) Chair Ottoman:

\_\_\_\_\_

(C) Chair Arms:

\_\_\_\_\_

Total List Price Upcharge for  
 Contrasting Fabrics: \$ \_\_\_\_\_

\$100.00 List Per Contrasting Fabric Specified.  
 List price based on highest fabric grade usage.

**For use on the following MOD models:**

**(select one)**

- MOD 94
- MOD 95 Bench
- MOD 96 Bench



[www.ekocontract.com](http://www.ekocontract.com)