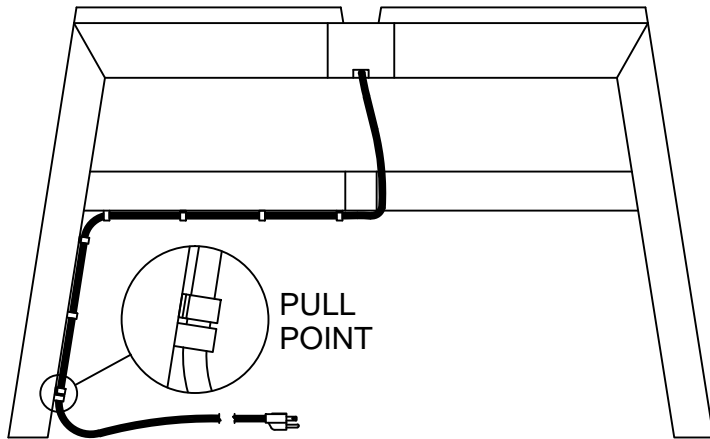




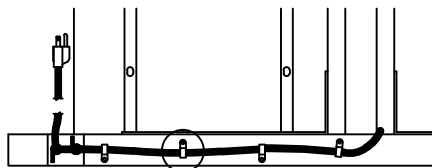
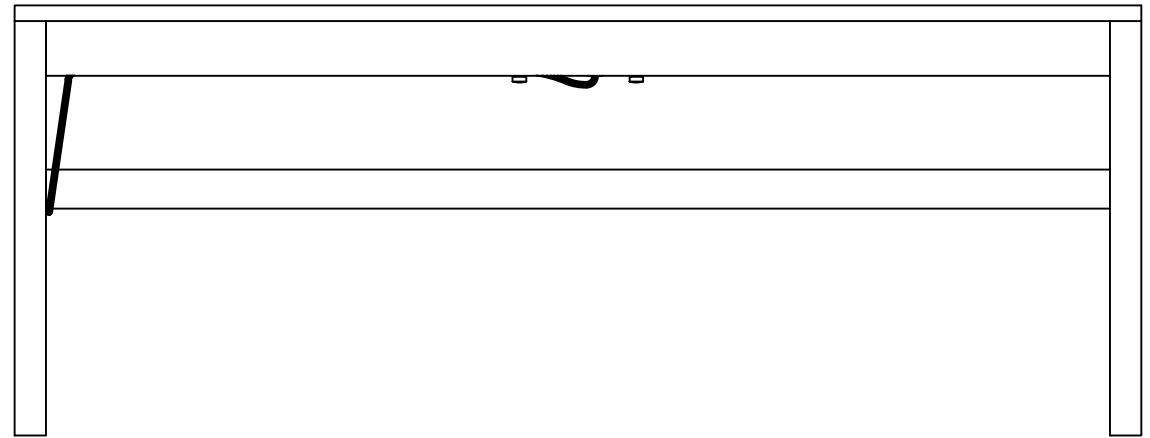
EKO Contract—Cleveland TN
www.ekocontract.com

Contact email: sales@ekocontract.com

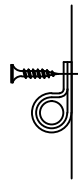
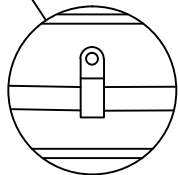
SIDE SECTION VIEW OF LEG



FRONT VIEW



PARTIAL
BOTTOM VIEW



PICNIC RECTANGULAR TABLE WIRE MANAGEMENT:

TABLE WILL ARRIVE WITH POWER CORD HANGING DOWN TOWARDS TOWARDS END OF TABLE AS SHOWN ABOVE

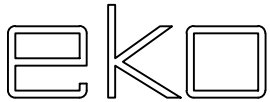
POSITION TABLE PER DESIGN LAYOUT.

ONCE TABLE IS POSITIONED USE CLIPS AND SCREW PROVIDED TO SECURE POWER CORD AS SHOWN.

CORD DROPS TO WRAP UNDER LOWER CROSS BEAM AND FOLLOWS BEAM TO LEG AND DOWN TO FLOOR.

(USE 2 CLIPS AT PULL POINT, FLOOR LEVEL)

OPTION: MANAGEMENT OF POWER CORD IS AVAILABLE FOR ASSEMBLY PRIOR TO SHIPPING



EKO Contract—Cleveland TN
www.ekocontract.com

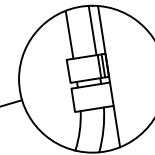
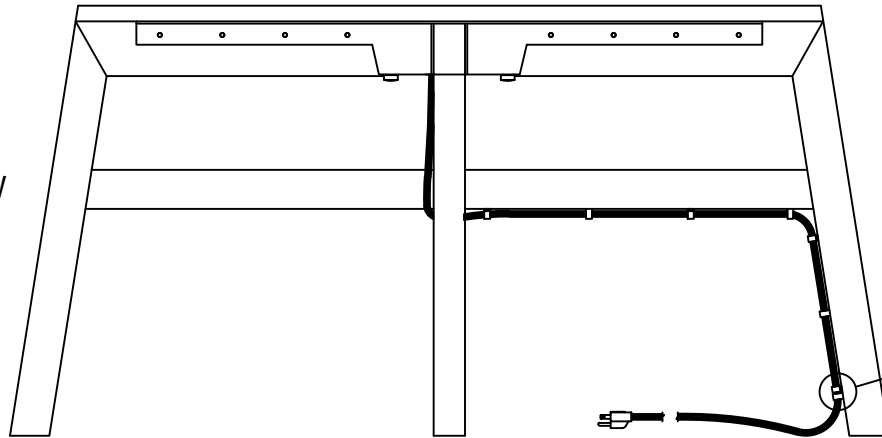
Contact email: sales@ekocontract.com

PICNIC ROUND TABLE
WIRE MANAGEMENT:

TABLE WILL ARRIVE WITH POWER CORD
HANGING DOWN FROM THE CENTER
OF TABLE.

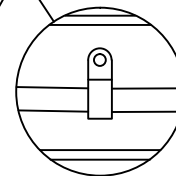
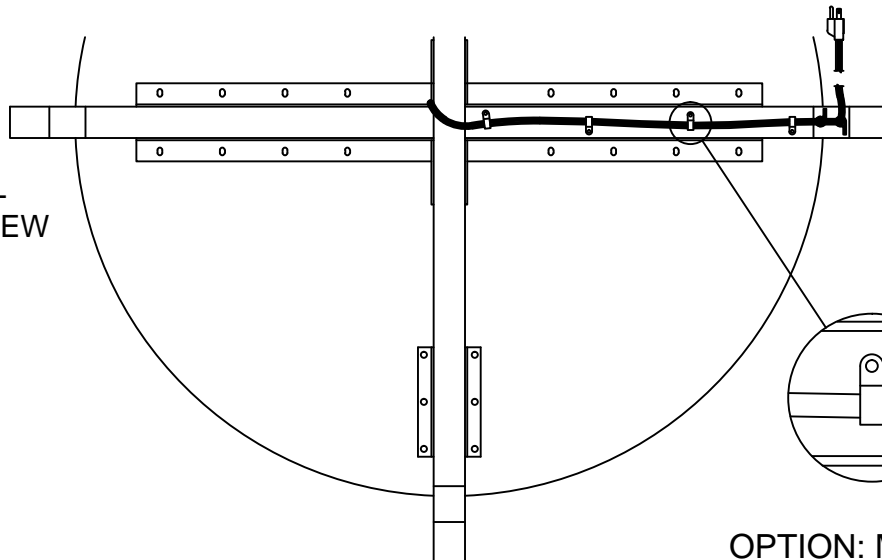
POSITION TABLE PER DESIGN LAYOUT.

SIDE VIEW



PULL
POINT

PARTIAL
BOTTOM VIEW



ONCE TABLE IS POSITIONED USE CLIPS
AND SCREWS PROVIDED TO SECURE
POWER CORD AS SHOWN.

CORD DROPS TO WRAP UNDER LOWER
CROSS BEAM AND FOLLOWS BEAM
TO LEG AND DOWN TO FLOOR.
(USE 2 CLIPS AT PULL POINT, FLOOR LEVEL)

OPTION: MANAGEMENT OF POWER CORD IS AVAILABLE
FOR ASSEMBLY PRIOR TO SHIPPING