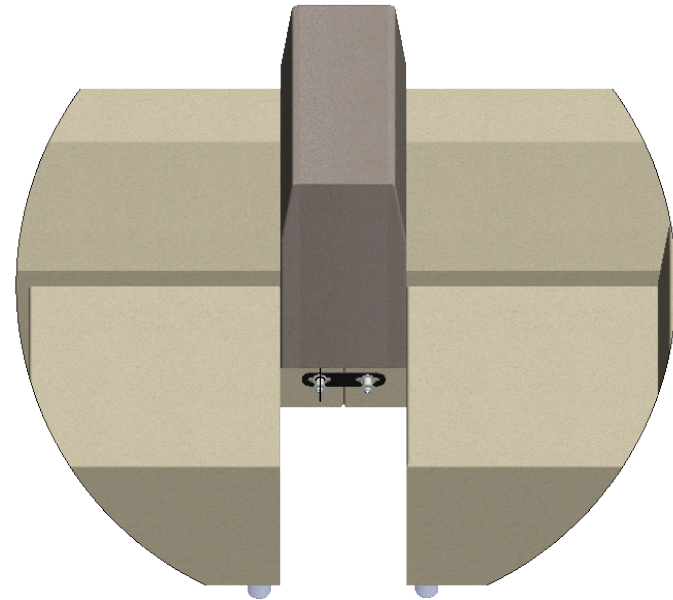


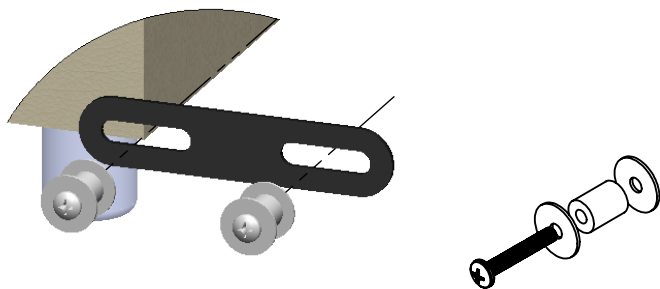
**STEP 1 : GANGING BRACKET INSTALLATION**

PLACE FURNITURE SIDE BY SIDE IN THE ORDER IN WHICH IT WILL BE GANGED TOGETHER . ENSURE YOU HAVE THE FURNITURE IN THE LOCATION IT NEEDS TO BE. LINE UP THE SEATING ACROSS THE BACK. LOCATE YOUR GANGING BRACKETS AND GANGING SCREW HARDWARE. SEE DRAWING FOR HARDWARE ORDER. AFTER PLACING ALL HARDWARE ON THE BOLT INSERT IT THRU THE GANGING BRACKET AND ATTACH THE GANGING BRACKET TO THE CHAIR.

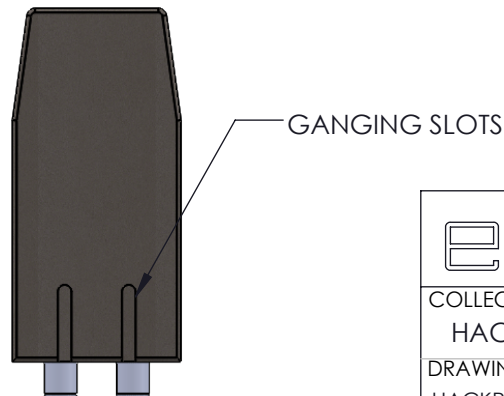


**STEP 2 : ARM INSTALLATION**

LIFT THE ARM INTO POSITION AND SLIDE THE ARM DOWN VERTICALLY INTO POSITION. THE GANGING SLOTS IN THE BACK OF THE ARM WILL SLIDE OVER THE GANGING SCREW AND SIT BETWEEN THE 2 WASHERS .




GANGING SCREW HARDWARE



GANGING SLOTS

ARM- BACK VIEW

 EKO Contract-Cleveland TN <a href="http://www.ekocontract.com">www.ekocontract.com</a>			
COLLECTION: <b>HACKR-TANDEM</b>			
DRAWING NUMBER HACKR GANG ASSEMBLY		1 OF 1	DATE 1/27/2018
DRAWN BY <b>ALB</b>	CHECKED BY - - -	SCALE 1:24	REV -