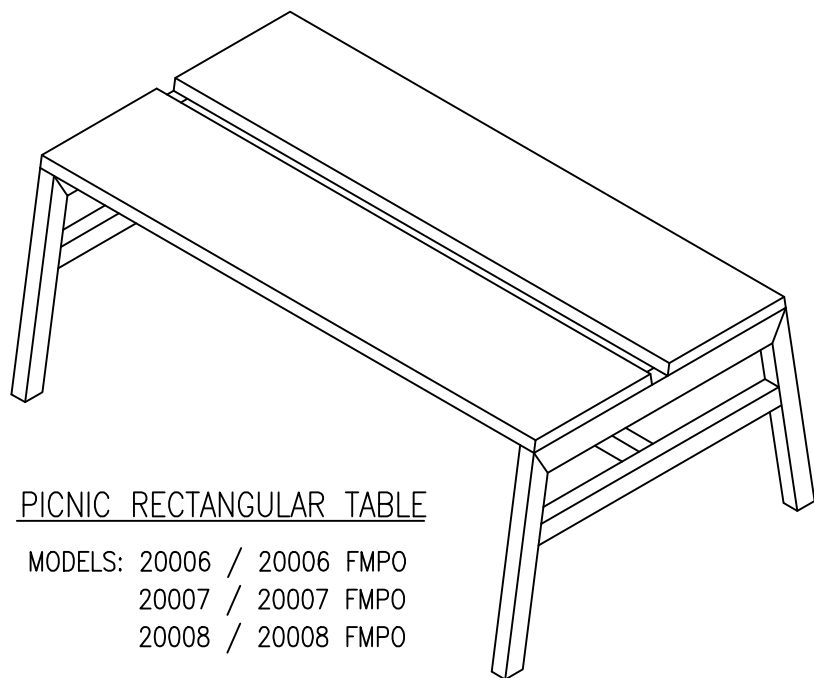




EKO Contract—Cleveland TN  
www.ekocontract.com

Contact email: sales@ekocontract.com

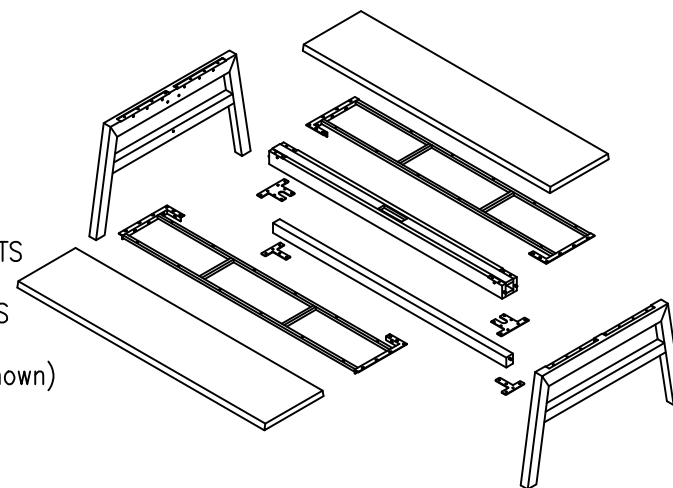


PICNIC RECTANGULAR TABLE

MODELS: 20006 / 20006 FMPO  
20007 / 20007 FMPO  
20008 / 20008 FMPO

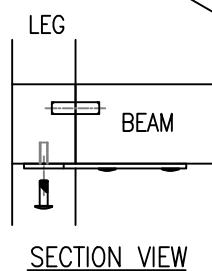
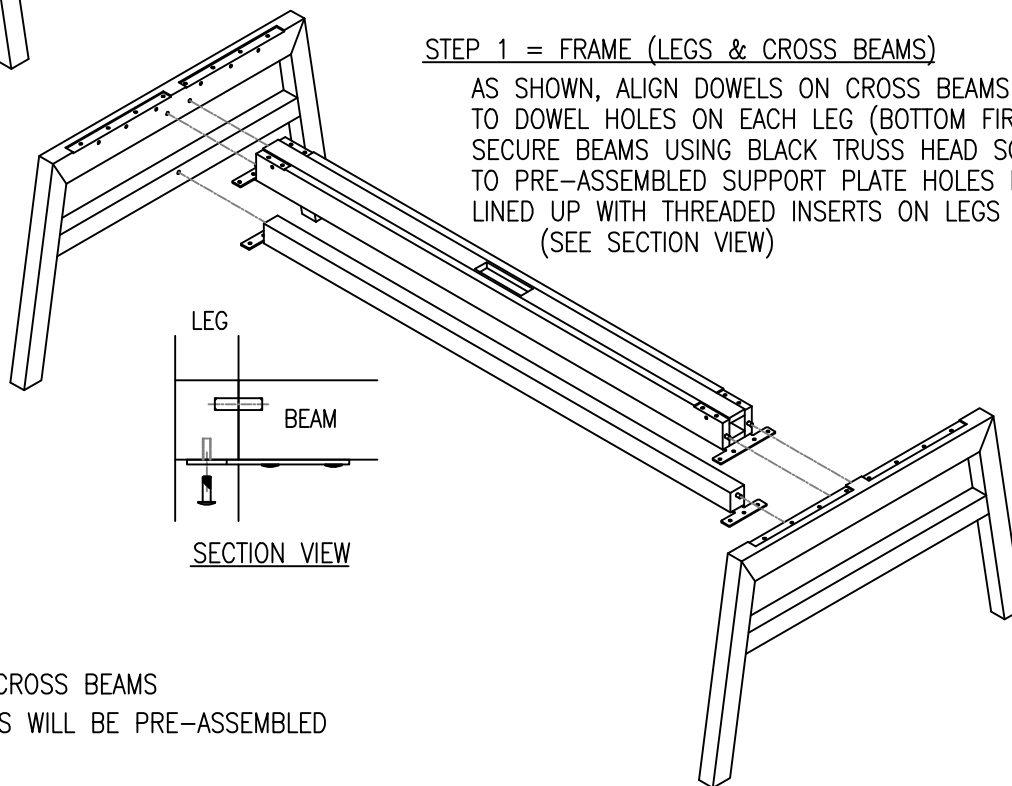
PACKAGING LIST

- 2 -LEG FRAMES
- 1 -TOP CROSS BEAM
- 1 -BOTTOM CROSS BEAM
- 2 -METAL SUPPORT BRACKETS
- 2 -TOP SUPPORT PLATES
- 2 -BOTTOM SUPPORT PLATES
- 2 -TABLE TOPS
- 1 -HARDWARE PACK (not shown)



STEP 1 = FRAME (LEGS & CROSS BEAMS)

AS SHOWN, ALIGN DOWELS ON CROSS BEAMS TO DOWEL HOLES ON EACH LEG (BOTTOM FIRST) SECURE BEAMS USING BLACK TRUSS HEAD SCREWS TO PRE-ASSEMBLED SUPPORT PLATE HOLES NOW LINED UP WITH THREADED INSERTS ON LEGS (SEE SECTION VIEW)

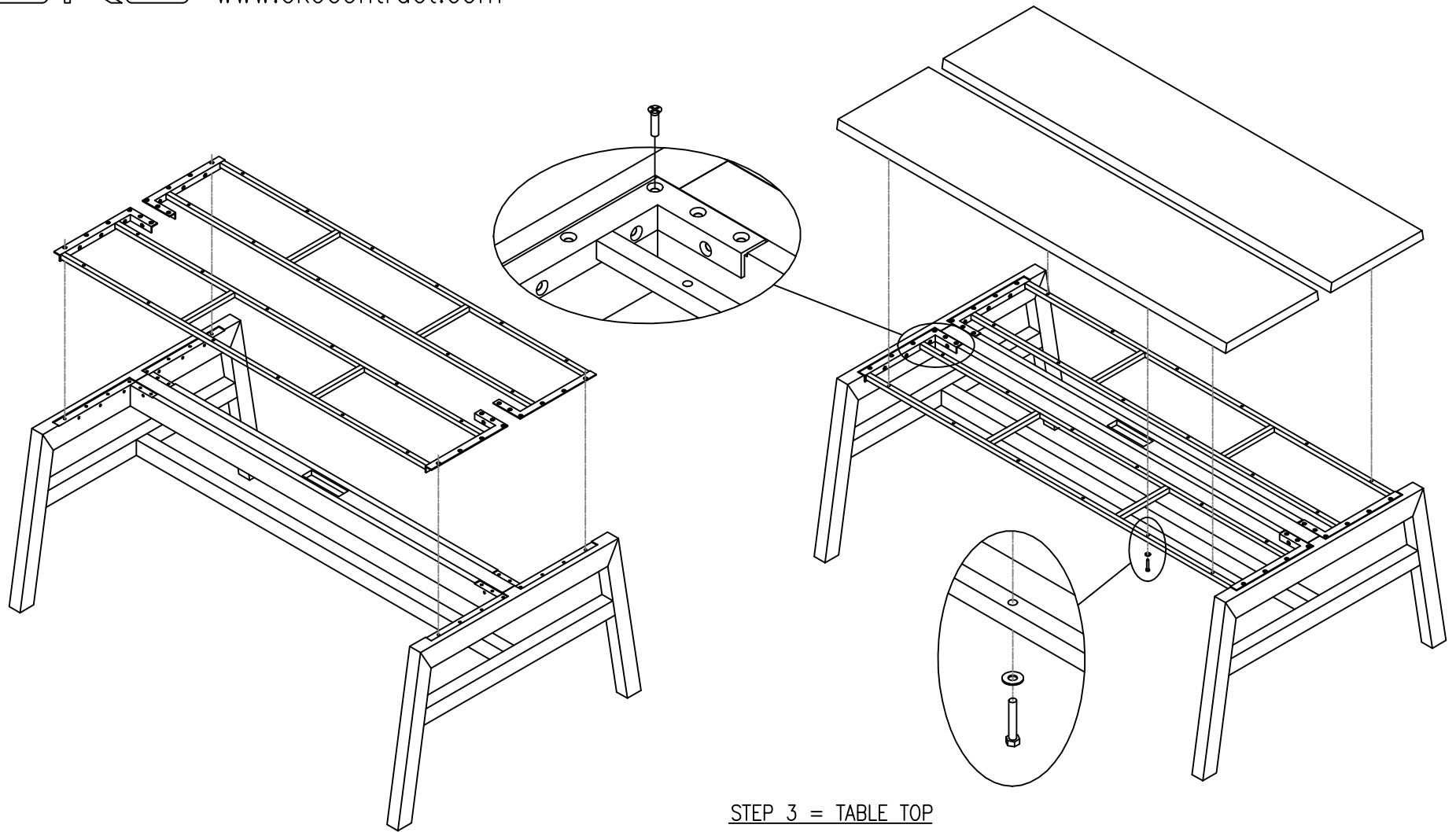


TOOLS NEEDED FOR ASSEMBLY

- 1 -#3 PHILLIPS HEAD SCREWDRIVER
- 1 -7/16 HEX (BOX) WRENCH OR SOCKET

NOTES:

1. FOR EASE OF ASSEMBLY, TWO PEOPLE REQUIRED
2. SUPPORT PLATES WILL ALREADY BE ASSEMBLED TO CROSS BEAMS
3. MODELS WITH POWER CENTERS (FMPO), POWER UNITS WILL BE PRE-ASSEMBLED



STEP 2 = SUPPORT BRACKETS

POSITION SUPPORT BRACKETS TO ALIGNED BOLT PATTERN  
WITH THREADED INSERT ON LEGS AND TOP BEAM  
USING FLAT HEAD SCREWS, SECURE BRACKET TO LEGS AND BEAM

STEP 3 = TABLE TOP

CAREFULLY PLACE TABLE TOPS OVER SUPPORT BRACKET AND ALIGN  
HOLES TO THREADED INSERTS LOCATED UNDER TABLE TOP THEN SECURE  
TOP USING FLAT WASHER AND HEX HEAD BOLT, ASSEMBLE LOOSELY  
ADJUST TABLE TOP TO MATCH FRAME EDGES THEN TIGHTEN BOLTS