

PICNIC ROUND TABLE

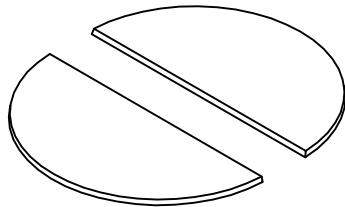
MODELS: 20009 / 20009 FMPO
20010 / 20010 FMPO
20011 / 20011 FMPO

NOTES:

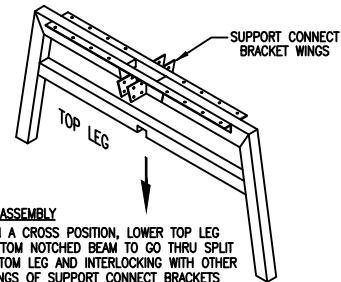
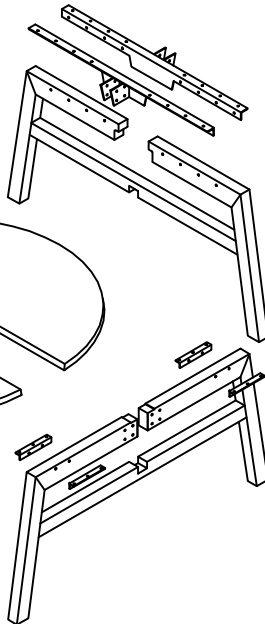
1. FOR EASE OF ASSEMBLY, TWO PEOPLE REQUIRED
2. BRACKETS WILL ALREADY BE ASSEMBLED TO LEG FRAMES
3. MODELS WITH POWER CENTERS (FMPO), POWER UNITS WILL BE PRE-ASSEMBLED

PACKAGING LIST

- 2 -LEG FRAMES
- 2 -SUPPORT CONNECT BRACKETS
- 4 -CONNECT BRACKETS
- 2 -TABLE TOPS
- 1 -HARDWARE PACK (not shown)



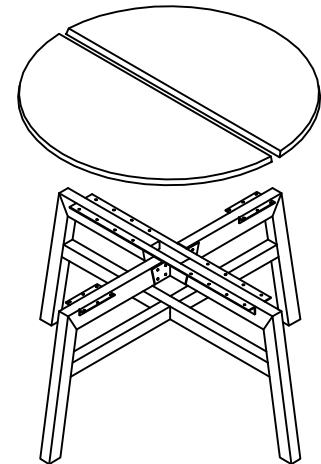
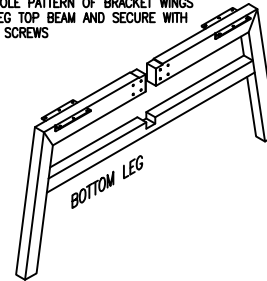
- TOOLS NEEDED FOR ASSEMBLY**
- 1 -#3 PHILLIPS HEAD SCREWDRIVER



STEP 1 = LEG ASSEMBLY

AS SHOWN, IN A CROSS POSITION, LOWER TOP LEG ALLOWING BOTTOM NOTCHED BEAM TO GO THRU SPLIT BEAM OF BOTTOM LEG AND INTERLOCKING WITH OTHER BEAM AND WINGS OF SUPPORT CONNECT BRACKETS TO FIT ON SPLIT BEAM OF BOTTOM LEG

ALIGN BOLT HOLE PATTERN OF BRACKET WINGS TO BOTTOM LEG TOP BEAM AND SECURE WITH BLACK TRUSS SCREWS



STEP 2 = TABLE TOP

CAREFULLY PLACE TABLE TOPSS OVER CONNECT BRACKETS OF LEGS ALIGN HOLES TO THREADED INSERTS LOCATED UNDER TABLE TOP THEN SECURE TOP USING BLACK TRUSS SCREWS, ASSEMBLE LOOSELY THEN ADJUST TABLE TOP TO MATCH FRAME EDGES THEN TIGHTEN SCREWS