

**ASSEMBLY DIRECTIONS:**

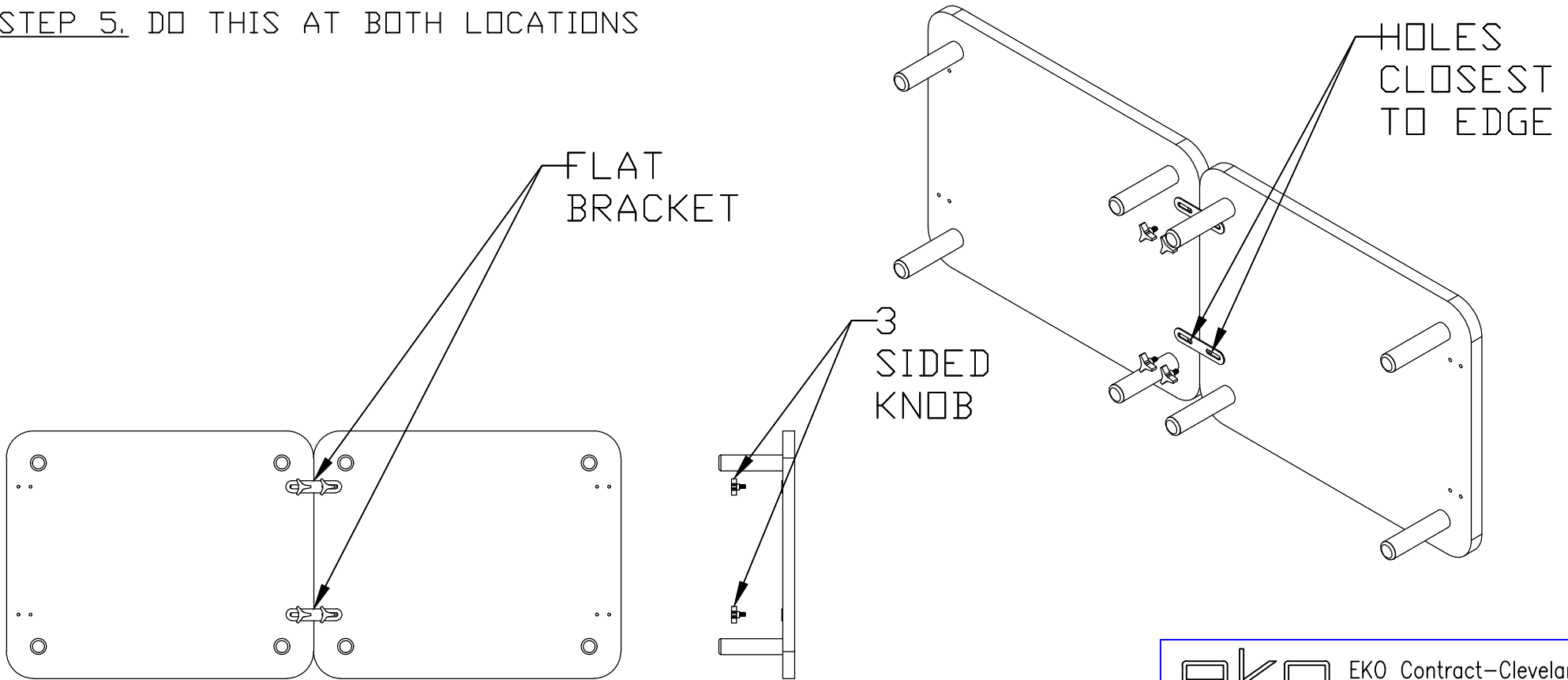
STEP 1. PUSH THE BASES TOGETHER

STEP 2. FIND HOLES CLOSEST TO EDGE SHOWN ON THE DRAWING

STEP 3. USING THE (2) FLAT BRACKET SUPPLIED AND THE (4) 3 SIDED KNOB CONNECT THE TWO BASES TOGETHER.

STEP 4. TIGHTEN FIRMLY SO THE BASES DO NOT SLIDE APART

STEP 5. DO THIS AT BOTH LOCATIONS



<b>eko</b> EKO Contract-Cleveland TN www.ekocontract.com			
TITLE SOFT GANGING ASSEMBLY			
DRAWING NUMBER SGA-001	SHEET 1 OF 1	DATE 8/10/19	
DRAWN BY JLD	CHECKED BY -	SCALE 1/4"=1'-0"	REVISION 0