



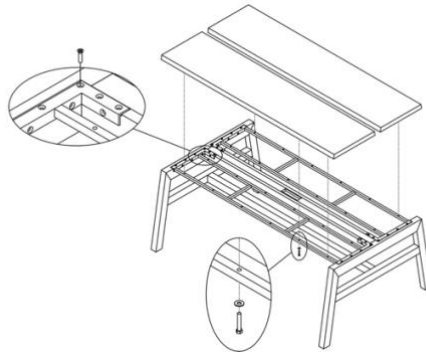
THE CRAFT OF SEATING

Specification Sheet

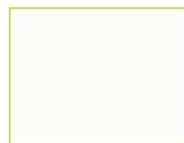
Series: picnic Model: All tables Dimensions: TBD



- Internal 8 gauge metal assemblies create structure



- Frame made from 8/4 hardwood, Sustainable Forestry Initiative® (SFI®) certified responsible wood sources.
 - 3D laminated tops create seamless surfaces, available in 4 grades, 1.5" thick



3DL Solid



3DL Premium



3DL Textured



3DL Wood

- Available with power, 2 AC and 2 USB with standard 120v plug in, 120" long cord. Outlet is waterproof.
 - Lifetime warranty on frame construction



THE CRAFT OF SEATING

Specification Sheet

Series: picnic Model: All ottomans Dimensions: TBD



- Lifetime warranty on frame construction
 - Internal structure of CNC machined, 13/16" Plytanium® hardwood plywood
- Frame made from Sustainable Forestry Initiative® (SFI®) certified responsible wood sources.
- 90 lb. compression high density foam on all sides of products and 30 lb. compression high density foam on seat surfaces.
 - Manual lock casters, standard on all ottomans